

4AC14L

PRODUCT SPECIFICATIONS

14 SEER SPLIT SYSTEM AIR CONDITIONER

FORM NO. 4AC14L-100 (04/2014)



- R410A Refrigerant
- High-quality condenser coil with copper tubing and enhanced louvered fin for maximum heat transfer capacity
- Top discharge directs hot air and sound away from living area and shrubbery
- All units run tested
- Louvered panel coil protection
- Easy access to electrical panels, pre-wired for easy hook-up
- Bi-directional liquid line filter drier factory installed
- Discharge muffler for quiet operation
- Reliable, solid state defrost control
- Defrost control is Quiet Shift™ capable
- Low pressure switch factory installed for loss of charge protection
- Integrated control with LED diagnostics
- Short cycle protection factory installed
- All units ETL and ETL approved and AHRI Certified
- Charged for 15 feet of interconnecting tubing

Warranty

10 year limited warranty on compressor, 10 year limited warranty on all parts, extended warranty available*

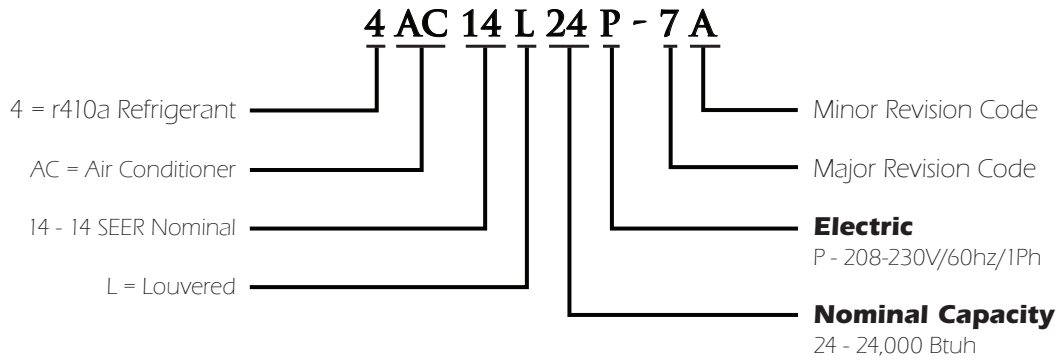
*Warranty provides for a total of 10 years of limited warranty coverage (Standard 5-year limited parts warranty plus an additional 5-year limited extended parts warranty). Warranty must be registered online within 60 days of installation to qualify for 10-year coverage. Unregistered equipment defaults to 5-year coverage. Lifetime limited heat exchanger warranty applies to registered equipment only (Standard 20 years with no online registration). See full warranty at www.alliedair.com for terms, conditions and exclusions.



Proper sizing and installation of equipment is critical to achieve optimal performance. Split system air conditioners and heat pumps must be matched with appropriate coil components to meet ENERGY STAR® criteria. Visit www.energystar.gov for details.



Model Number Guide



Physical and Electrical Data

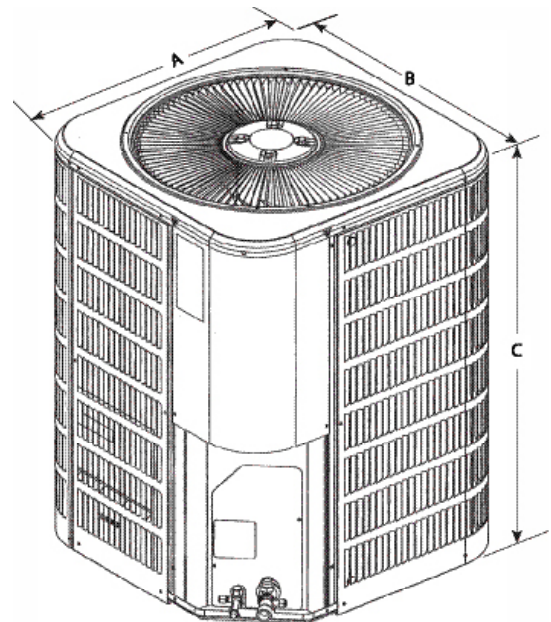
Model	Volts/Hz/Phase	Voltage Range	Min. Circuit Amp.	Max. Over-current Device (amps)	Compressor		Outdoor Fan Motor			Refrig. Charge (oz.)	Shipping Weight (lbs.)
					Rated Load (amps)	Locked Rotor (amps)	Rated Load (amps)	Rated HP	Nom. RPM		
4AC14L18P-3	208-230/60/1	197-253	12.0	20	9.0	48	0.7	1/10	1075	91	138
4AC14L24P-4, 5	208-230/60/1	197-253	18.7	30	13.4	58	1.1	1/6	825	92	146
4AC14L30P-3	208-230/60/1	197-253	17.2	30	12.9	64	1.1	1/6	825	107	172
4AC14L36P-3	208-230/60/1	197-253	18.7	30	14.1	77	1.1	1/6	825	107	177
4AC14L41P-3	208-230/60/2	197-254	22.8	35	16.7	79	1.7	1/4	825	161	210
4AC14L42P-4	208-230/60/3	197-255	24.1	40	17.9	112	1.7	1/4	825	138	208
4AC14L47P-3	208-230/60/4	197-256	26.7	45	19.9	109	1.8	1/3	825	179	251
4AC14L48P-4, 5	208-230/60/1	197-253	27.9	45	19.8	109	1.7	1/4	825	174	220
4AC14L60P-3	208-230/60/1	197-253	34.8	60	26.4	134	1.8	1/3	825	192	253

Note:
Weights listed are unit weights with packaging
+ Factory charged for 15 feet of line set. Adjust per installation instructions.

Unit Dimensions & Sound Ratings

Model	Dimensions			Sound Ratings (dBa)
	A (in.)	B (in.)	C (in.)	
4AC14L18P-3	24.25	24.25	28.5	76
4AC14L24P-4, 5	28.25	28.25	28.5	76
4AC14L30P-3	28.25	28.25	36.5	76
4AC14L36P-3	28.25	28.25	36.5	76
4AC14L41P-3	28.25	28.25	36.5	76
4AC14L42P-4	28.25	28.25	28.5	80
4AC14L47P-3	32.25	32.25	32.5	80
4AC14L48P-4, 5	28.25	28.25	32.5	80
4AC14L60P-3	32.25	32.25	32.5	80

Note:
Dimensions listed are unit sizes w/o packaging



Cooling Performance with Evaporator Coils

Outdoor Model	Indoor Model	SEER	EER	AHRI Rated Capacity ¹ BTUH	Sensible Capacity BTUH	CFM	Refrigerant Connection				Refrigerant Line Size		Indoor Expansion Device	
							Outdoor		Indoor		Suction	Liquid	Piston ²	TXV
	Suction						Liquid	Suction	Liquid					
4AC14*18P-2,-3	E(C,H,M,U)1P23(A,B)+TXV+TDR	14.00	12.00	18000	12600	650	3/4	3/8	3/4	3/8	3/4	3/8	0.053	A4TXV01
	E(C,H,M,U)1P29A+TXV+TDR	14.00	12.00	18000	12600	650	3/4	3/8	3/4	3/8	3/4	3/8	0.053	A4TXV01
4AC14*24P-4,-5	E(C,H,M,U)1P23(A,B)+TDR	14.00	11.50	23000	17000	850	3/4	3/8	3/4	3/8	3/4	3/8	0.057	A4TXV01
	E(C,H,M,U)1P29A+TDR	14.00	11.50	23000	17000	850	3/4	3/8	3/4	3/8	3/4	3/8	0.057	A4TXV01
	E(C,M,U)1P24(A,B)+TDR	14.00	11.50	23000	17000	850	3/4	3/8	3/4	3/8	3/4	3/8	0.057	A4TXV01
	E(C,M,U)1P30(A,B)+TDR	14.00	11.50	23000	17000	850	3/4	3/8	3/4	3/8	3/4	3/8	0.057	A4TXV01
	E(C,H,M,U)1P36(A,B,C)+TDR	14.00	11.50	23000	17000	850	3/4	3/8	3/4	3/8	3/4	3/8	0.057	A4TXV01
4AC14*30P-2,-3	E(C,H,M,U)1P29A+TXV+TDR	14.00	12.00	27000	21500	1000	3/4	3/8	3/4	3/8	3/4	3/8	0.065	A4TXV01
	E(C,H,M,U)1P36(A,B,C)+TDR	14.00	11.00	27000	21500	1000	3/4	3/8	3/4	3/8	3/4	3/8	0.065	A4TXV01
	E(C,H,M,U)1P36(A,B,C)+TXV+TDR	14.00	11.00	27000	21500	1000	3/4	3/8	3/4	3/8	3/4	3/8	0.065	A4TXV01
	E(C,H,M,U)1P43B+TDR	13.50	11.00	27000	21500	1000	3/4	3/8	3/4	3/8	3/4	3/8	0.065	A4TXV01
	E(C,H,M,U)1P43B+TXV+TDR	13.50	11.00	27000	21500	1000	3/4	3/8	3/4	3/8	3/4	3/8	0.065	A4TXV01
4AC14*36P-2,-3	E(C,H,M,U)1P36B+TXV+TDR	14.00	11.50	34000	24800	1200	7/8	3/8	7/8	3/8	7/8	3/8	0.071	A4TXV01
	E(C,H,M,U)1P43B+TDR	14.00	11.50	34000	24800	1200	7/8	3/8	7/8	3/8	7/8	3/8	0.071	A4TXV01
	E(C,H,M,U)1P43B+TXV+TDR	14.00	11.50	34000	24800	1200	7/8	3/8	7/8	3/8	7/8	3/8	0.071	A4TXV01
	E(C,H,U)1P49C+TDR	14.00	11.50	34000	24800	1200	7/8	3/8	7/8	3/8	7/8	3/8	0.071	A4TXV01
	E(C,H,U)1P49C+TXV+TDR	14.00	11.50	34000	24800	1200	7/8	3/8	7/8	3/8	7/8	3/8	0.071	A4TXV01
4AC14*41P-2,-3	E(C,H,U)1P49C+TXV+TDR	14.00	12.00	38000	30000	1400	7/8	3/8	7/8	3/8	7/8	3/8	0.074	A4TXV02
	E(C,H,U)1P62C+TDR	14.00	12.00	38000	30000	1400	7/8	3/8	7/8	3/8	7/8	3/8	0.074	A4TXV02
	E(C,H,U)1P62C+TXV+TDR	14.00	12.00	38000	30000	1400	7/8	3/8	7/8	3/8	7/8	3/8	0.074	A4TXV02
4AC14*42P-2,-3,-4	E(C,H,U)1P49C+TXV+TDR	14.00	12.00	40000	30300	1400	7/8	3/8	7/8	3/8	7/8	3/8	0.076	A4TXV02
	E(C,H,U)1P62C+TDR	14.00	11.50	41000	30300	1400	7/8	3/8	7/8	3/8	7/8	3/8	0.076	A4TXV02
	E(C,H,U)1P62C+TXV+TDR	14.00	11.50	41000	30300	1400	7/8	3/8	7/8	3/8	7/8	3/8	0.076	A4TXV02
4AC14*47P-2,-3	E(C,H,U)1P49C+TXV+TDR	14.00	11.50	46000	34800	1600	7/8	3/8	7/8	3/8	7/8	3/8	0.080	A4TXV02
	E(C,H,U)1P62C+TXV+TDR	14.00	11.50	46000	34800	1600	7/8	3/8	7/8	3/8	7/8	3/8	0.080	A4TXV02
	E(C,H,U)1P62D+TXV+TDR	14.00	11.50	46000	34800	1600	7/8	3/8	7/8	3/8	7/8	3/8	0.080	A4TXV02

Cooling Performance with Evaporator Coils (cont)

Outdoor Model	Indoor Model	SEER	EER	AHRI Rated Capacity ¹ BTUH	Sensible Capacity BTUH	CFM	Refrigerant Connection				Refrigerant Line Size		Indoor Expansion Device	
	Evaporator Coils ³						Outdoor		Indoor		Suction	Liquid	Piston ²	TXV
							Suction	Liquid	Suction	Liquid				
4AC14*48P-4,-5	E(C,H,U)1P49C+TDR	14.00	12.00	46500	35300	1600	7/8	3/8	7/8	3/8	7/8	3/8	0.083	A4TXV02
	E(C,H,U)1P62C+TDR	14.00	12.00	46500	35300	1600	7/8	3/8	7/8	3/8	7/8	3/8	0.083	A4TXV02
	E(C,H,U)1P62D+TDR	14.00	12.00	46500	35300	1600	7/8	3/8	7/8	3/8	7/8	3/8	0.083	A4TXV02
4AC14*59P-4,-5	E(C,H,U)1P62C+TXV+TDR	14.00	12.00	58000	41000	1800	7/8	3/8	7/8	3/8	1.125	3/8	0.093	A4TXV02
	E(C,H,U)1P62D+TXV+TDR	14.00	12.00	58000	41000	1800	7/8	3/8	7/8	3/8	1.125	3/8	0.093	A4TXV02
4AC14*60P-2,-3,-4	E(C,H,U)1P62C+TXV+TDR	14.00	12.00	58000	41800	1800	1.125	3/8	7/8	3/8	1.125	3/8	0.093	A4TXV02
	E(C,H,U)1P62D+TXV+TDR	13.50	11.50	57000	41800	1800	1.125	3/8	7/8	3/8	1.125	3/8	0.093	A4TXV02

Note:

¹ Certified in accordance with Unitary Air Conditioner Certification Program, which is based on AHRI Standard 210/240

² Required to achieve AHRI rating. If NA (Not Applicable) is in the piston column, then TXV is required.

³ A blower time delay relay is required to achieve AHRI rating. This feature is standard on all Allied Air Enterprises furnace and AH products.

Cooling Performance with Air Handlers and Furnaces 18

Outdoor Model	Indoor Model	Variable Speed Furnace	SEER	EER	AHRI Rated Capacity ¹ BTUH	Sensible Capacity BTUH	CFM	Refrigerant Connection				Refrigerant Line Size		Indoor Expansion Device		
								Outdoor		Indoor		Suction	Liquid	Piston ²	TXV	
	Evaporator Coil or Air Handler ³	Suction	Liquid	Suction	Liquid											
4AC14*18P-2,-3	BCE3M18C****P+TXV		14.00	12.00	18000	12600	650	3/4	3/8	3/4	3/8	3/4	3/8	0.053	A4TXV01	
	BCS2M24V****P+TXV		15.10	12.50	18000	12600	650	3/4	3/8	3/4	3/8	3/4	3/8	0.053	A4TXV01	
	BCS3M18C****P+TXV		14.00	12.00	18000	12600	650	3/4	3/8	3/4	3/8	3/4	3/8	0.053	A4TXV01	
	BCS3M24E****P		15.1	12.5	18000	12600	650	3/4	3/8	3/4	3/8	3/4	3/8	0.053	A4TXV01	
	E(C,H,M,U)1P23B	EFV08BC		15.10	12.50	18000	12600	650	3/4	3/8	3/4	3/8	3/4	3/8	0.053	A4TXV01
	E(C,H,M,U)1P23B	95G2UH070BV12		16.00	13.00	18000	12600	650	3/4	3/8	3/4	3/8	3/4	3/8	0.053	A4TXV01
	E(C,H,M,U)1P23B+TXV	95G2UH070BV12		16.00	13.00	18500	12600	690	3/4	3/8	3/4	3/8	3/4	3/8	0.053	A4TXV01
	E(C,H,M,U)1P23B	95G2UH070BE12		15.00	12.50	18000	12600	650	3/4	3/8	3/4	3/8	3/4	3/8	0.053	A4TXV01
	E(C,H,M,U)1P23B+TXV	95G2UH070BE12		15.00	12.50	18000	12600	650	3/4	3/8	3/4	3/8	3/4	3/8	0.053	A4TXV01
	E(C,H,M,U)1P23B	95G2UH045BV12		15.10	12.50	18000	12600	650	3/4	3/8	3/4	3/8	3/4	3/8	0.053	A4TXV01
	E(C,H,M,U)1P23B+TXV	95G2UH045BV12		15.10	12.50	18000	12600	650	3/4	3/8	3/4	3/8	3/4	3/8	0.053	A4TXV01
	E(C,H,M,U)1P23B	95G2UH045BE12		15.10	12.50	18000	12600	650	3/4	3/8	3/4	3/8	3/4	3/8	0.053	A4TXV01
	E(C,H,M,U)1P23B+TXV	95G2UH045BE12		15.10	12.50	18000	12600	650	3/4	3/8	3/4	3/8	3/4	3/8	0.053	A4TXV01
	E(C,H,M,U)1P23B	95G2DF070BV16		15.10	12.50	18000	12600	650	3/4	3/8	3/4	3/8	3/4	3/8	0.053	A4TXV01
	E(C,H,M,U)1P23B+TXV	95G2DF070BV16		15.10	12.50	18000	12600	650	3/4	3/8	3/4	3/8	3/4	3/8	0.053	A4TXV01
	E(C,H,M,U)1P23B	95G2DF045BV12		15.10	12.50	18000	12600	650	3/4	3/8	3/4	3/8	3/4	3/8	0.053	A4TXV01
	E(C,H,M,U)1P23B+TXV	95G2DF045BV12		15.10	12.50	18000	12600	650	3/4	3/8	3/4	3/8	3/4	3/8	0.053	A4TXV01
	E(C,H,M,U)1P23B	95G2DF045BE12		15.10	12.50	18000	12600	650	3/4	3/8	3/4	3/8	3/4	3/8	0.053	A4TXV01
	E(C,H,M,U)1P23B+TXV	95G2DF045BE12		15.10	12.50	18000	12600	650	3/4	3/8	3/4	3/8	3/4	3/8	0.053	A4TXV01
	E(C,H,M,U)1P23B	95G1UH070BE12		15.00	12.50	18000	12600	650	3/4	3/8	3/4	3/8	3/4	3/8	0.053	A4TXV01
	E(C,H,M,U)1P23B+TXV	95G1UH070BE12		15.00	12.50	18000	12600	650	3/4	3/8	3/4	3/8	3/4	3/8	0.053	A4TXV01
	E(C,H,M,U)1P23B	95G1UH045BE12		16.00	13.00	18000	12600	650	3/4	3/8	3/4	3/8	3/4	3/8	0.053	A4TXV01
	E(C,H,M,U)1P23B+TXV	95G1UH045BE12		15.10	12.50	18000	12600	650	3/4	3/8	3/4	3/8	3/4	3/8	0.053	A4TXV01
	E(C,H,M,U)1P23B	95G1DF045BE12		15.10	12.50	18000	12600	650	3/4	3/8	3/4	3/8	3/4	3/8	0.053	A4TXV01
	E(C,H,M,U)1P23B+TXV	95G1DF045BE12		15.10	12.50	18000	12600	650	3/4	3/8	3/4	3/8	3/4	3/8	0.053	A4TXV01
	E(C,H,M,U)1P23A	80G2UH070AV12		15.10	12.50	18000	12600	650	3/4	3/8	3/4	3/8	3/4	3/8	0.053	A4TXV01
	E(C,H,M,U)1P23A+TXV	80G2UH070AV12		15.10	12.50	18000	12600	650	3/4	3/8	3/4	3/8	3/4	3/8	0.053	A4TXV01
	E(C,H,M,U)1P23B	80G1UH070BE12		15.10	12.50	18000	12600	650	3/4	3/8	3/4	3/8	3/4	3/8	0.053	A4TXV01
	E(C,H,M,U)1P23B+TXV	80G1UH070BE12		15.10	12.50	18000	12600	650	3/4	3/8	3/4	3/8	3/4	3/8	0.053	A4TXV01
	E(C,H,M,U)1P23A	80G1UH045AE12		15.10	12.50	18000	12600	650	3/4	3/8	3/4	3/8	3/4	3/8	0.053	A4TXV01
	E(C,H,M,U)1P23A+TXV	80G1UH045AE12		15.10	12.50	18000	12600	650	3/4	3/8	3/4	3/8	3/4	3/8	0.053	A4TXV01
	E(C,H,M,U)1P23B	80G1DF070BE12		15.10	12.50	18000	12600	650	3/4	3/8	3/4	3/8	3/4	3/8	0.053	A4TXV01
	E(C,H,M,U)1P23B+TXV	80G1DF070BE12		15.10	12.50	18000	12600	650	3/4	3/8	3/4	3/8	3/4	3/8	0.053	A4TXV01
E(C,H,M,U)1P23A	80G1DF045AE12		15.10	12.50	18000	12600	650	3/4	3/8	3/4	3/8	3/4	3/8	0.053	A4TXV01	
E(C,H,M,U)1P23A+TXV	80G1DF045AE12		15.10	12.50	18000	12600	650	3/4	3/8	3/4	3/8	3/4	3/8	0.053	A4TXV01	
E(C,H,M,U)1P29B	EFV08BC		15.10	12.50	18000	12600	650	3/4	3/8	3/4	3/8	3/4	3/8	0.053	A4TXV01	

Note:
 1 Certified in accordance with Unitary Air Conditioner Certification Program, which is based on AHRI Standard 210/240
 2 Required to achieve AHRI ratings. If NA (Not Applicable) is in the piston column, then TXV is required
 3 A blower time delay relay is required to achieve AHRI rating. This feature is standard on all Allied Air Enterprises furnace and AH products.

Cooling Performance with Air Handlers and Furnaces 18

Outdoor Model	Indoor Model	Variable Speed Furnace	SEER	EER	AHRI Rated Capacity ¹ BTUH	Sensible Capacity BTUH	CFM	Refrigerant Connection				Refrigerant Line Size		Indoor Expansion Device	
								Outdoor		Indoor		Suction	Liquid	Piston ²	TXV
	Evaporator Coil or Air Handler ³	Suction	Liquid	Suction	Liquid										
4AC14*18P-2,-3	E(C,H,M,U)1P29B	95G2UH070BV12	16.00	13.00	18000	12600	650	3/4	3/8	3/4	3/8	3/4	3/8	0.053	A4TXV01
	E(C,H,M,U)1P29B+TXV	95G2UH070BV12	15.10	12.50	18000	12600	650	3/4	3/8	3/4	3/8	3/4	3/8	0.053	A4TXV01
	E(C,H,M,U)1P29B	95G2UH070BE12	14.50	12.00	18000	12600	650	3/4	3/8	3/4	3/8	3/4	3/8	0.053	A4TXV01
	E(C,H,M,U)1P29B+TXV	95G2UH070BE12	14.50	12.00	18000	12600	650	3/4	3/8	3/4	3/8	3/4	3/8	0.053	A4TXV01
	E(C,H,M,U)1P29B	95G2UH045BV12	15.10	12.50	18000	12600	650	3/4	3/8	3/4	3/8	3/4	3/8	0.053	A4TXV01
	E(C,H,M,U)1P29B+TXV	95G2UH045BV12	15.10	12.50	18000	12600	650	3/4	3/8	3/4	3/8	3/4	3/8	0.053	A4TXV01
	E(C,H,M,U)1P29B	95G2UH045BE12	14.50	12.00	18000	12600	650	3/4	3/8	3/4	3/8	3/4	3/8	0.053	A4TXV01
	E(C,H,M,U)1P29B+TXV	95G2UH045BE12	14.50	12.00	18000	12600	650	3/4	3/8	3/4	3/8	3/4	3/8	0.053	A4TXV01
	E(C,H,M,U)1P29B	95G2DF070BV16	15.10	12.50	18000	12600	650	3/4	3/8	3/4	3/8	3/4	3/8	0.053	A4TXV01
	E(C,H,M,U)1P29B+TXV	95G2DF070BV16	15.10	12.50	18000	12600	650	3/4	3/8	3/4	3/8	3/4	3/8	0.053	A4TXV01
	E(C,H,M,U)1P29B	95G2DF045BV12	15.10	12.50	18000	12600	650	3/4	3/8	3/4	3/8	3/4	3/8	0.053	A4TXV01
	E(C,H,M,U)1P29B+TXV	95G2DF045BV12	15.10	12.50	18000	12600	650	3/4	3/8	3/4	3/8	3/4	3/8	0.053	A4TXV01
	E(C,H,M,U)1P29B	95G2DF045BE12	14.50	12.00	18000	12600	650	3/4	3/8	3/4	3/8	3/4	3/8	0.053	A4TXV01
	E(C,H,M,U)1P29B+TXV	95G2DF045BE12	14.50	12.00	18000	12600	650	3/4	3/8	3/4	3/8	3/4	3/8	0.053	A4TXV01
	E(C,H,M,U)1P29B	95G1UH070BE12	14.50	12.00	18000	12600	650	3/4	3/8	3/4	3/8	3/4	3/8	0.053	A4TXV01
	E(C,H,M,U)1P29B+TXV	95G1UH070BE12	14.50	12.00	18000	12600	650	3/4	3/8	3/4	3/8	3/4	3/8	0.053	A4TXV01
	E(C,H,M,U)1P29B	95G1UH045BE12	16.00	13.00	18000	12600	650	3/4	3/8	3/4	3/8	3/4	3/8	0.053	A4TXV01
	E(C,H,M,U)1P29B+TXV	95G1UH045BE12	14.50	12.00	18000	12600	650	3/4	3/8	3/4	3/8	3/4	3/8	0.053	A4TXV01
	E(C,H,M,U)1P29B	95G1DF045BE12	14.50	12.00	18000	12600	650	3/4	3/8	3/4	3/8	3/4	3/8	0.053	A4TXV01
	E(C,H,M,U)1P29B+TXV	95G1DF045BE12	14.50	12.00	18000	12600	650	3/4	3/8	3/4	3/8	3/4	3/8	0.053	A4TXV01
	E(C,H,M,U)1P29A	80G2UH070AV12	15.10	12.50	18000	12600	650	3/4	3/8	3/4	3/8	3/4	3/8	0.053	A4TXV01
	E(C,H,M,U)1P29A+TXV	80G2UH070AV12	15.10	12.50	18000	12600	650	3/4	3/8	3/4	3/8	3/4	3/8	0.053	A4TXV01
	E(C,H,M,U)1P29B	80G1UH070BE12	14.50	12.00	18000	12600	650	3/4	3/8	3/4	3/8	3/4	3/8	0.053	A4TXV01
	E(C,H,M,U)1P29B+TXV	80G1UH070BE12	14.50	12.00	18000	12600	650	3/4	3/8	3/4	3/8	3/4	3/8	0.053	A4TXV01
	E(C,H,M,U)1P29A	80G1UH045AE12	15.10	12.50	18000	12600	650	3/4	3/8	3/4	3/8	3/4	3/8	0.053	A4TXV01
	E(C,H,M,U)1P29A+TXV	80G1UH045AE12	16.00	13.00	18000	12600	650	3/4	3/8	3/4	3/8	3/4	3/8	0.053	A4TXV01
	E(C,H,M,U)1P29B	80G1DF070BE12	14.50	12.00	18000	12600	650	3/4	3/8	3/4	3/8	3/4	3/8	0.053	A4TXV01
	E(C,H,M,U)1P29B+TXV	80G1DF070BE12	14.50	12.00	18000	12600	650	3/4	3/8	3/4	3/8	3/4	3/8	0.053	A4TXV01
	E(C,H,M,U)1P29A	80G1DF045AE12	15.10	12.50	18000	12600	650	3/4	3/8	3/4	3/8	3/4	3/8	0.053	A4TXV01
	E(C,H,M,U)1P29A+TXV	80G1DF045AE12	15.10	12.50	18000	12600	650	3/4	3/8	3/4	3/8	3/4	3/8	0.053	A4TXV01
	E(C,H,M,U)1P30B	95G2UH070BV12	16.00	13.00	18000	12600	650	3/4	3/8	3/4	3/8	3/4	3/8	0.053	A4TXV01
	E(C,H,M,U)1P30B	95G2UH070BE12	15.10	12.50	18000	12600	650	3/4	3/8	3/4	3/8	3/4	3/8	0.053	A4TXV01
E(C,H,M,U)1P30B+TXV	95G2UH070BE12	15.10	12.50	18000	12600	650	3/4	3/8	3/4	3/8	3/4	3/8	0.053	A4TXV01	
E(C,H,M,U)1P30B	95G2UH045BV12	15.10	12.50	18000	12600	650	3/4	3/8	3/4	3/8	3/4	3/8	0.053	A4TXV01	
E(C,H,M,U)1P30B+TXV	95G2UH045BV12	15.10	12.50	18000	12600	650	3/4	3/8	3/4	3/8	3/4	3/8	0.053	A4TXV01	

Note:
 1 Certified in accordance with Unitary Air Conditioner Certification Program, which is based on AHRI Standard 210/240
 2 Required to achieve AHRI rating. If NA (Not Applicable) is in the piston column, then TXV is required
 3 A blower time delay relay is required to achieve AHRI rating. This feature is standard on all Allied Air Enterprises furnace and AH products.

Cooling Performance with Air Handlers and Furnaces 18

Outdoor Model	Indoor Model	Variable Speed Furnace	SEER	EER	AHRI Rated Capacity ¹ BTUH	Sensible Capacity BTUH	CFM	Refrigerant Connection				Refrigerant Line Size		Indoor Expansion Device	
								Outdoor		Indoor		Suction	Liquid	Piston ²	TXV
	Evaporator Coil or Air Handler ³	Suction	Liquid	Suction	Liquid										
4AC14*18P-2,-3	E(C,H,M,U)1P30B	95G2UH045BE12	15.10	12.50	18000	12600	650	3/4	3/8	3/4	3/8	3/4	3/8	0.053	A4TXV01
	E(C,H,M,U)1P30B+TXV	95G2UH045BE12	15.10	12.50	18000	12600	650	3/4	3/8	3/4	3/8	3/4	3/8	0.053	A4TXV01
	E(C,H,M,U)1P30B	95G2DF070BV16	15.10	12.50	18000	12600	650	3/4	3/8	3/4	3/8	3/4	3/8	0.053	A4TXV01
	E(C,H,M,U)1P30B+TXV	95G2DF070BV16	15.10	12.50	18000	12600	650	3/4	3/8	3/4	3/8	3/4	3/8	0.053	A4TXV01
	E(C,H,M,U)1P30B	95G2DF045BV12	16.00	13.00	18000	12600	650	3/4	3/8	3/4	3/8	3/4	3/8	0.053	A4TXV01
	E(C,H,M,U)1P30B	95G2DF045BE12	15.10	12.50	18000	12600	650	3/4	3/8	3/4	3/8	3/4	3/8	0.053	A4TXV01
	E(C,H,M,U)1P30B+TXV	95G2DF045BE12	15.10	12.50	18000	12600	650	3/4	3/8	3/4	3/8	3/4	3/8	0.053	A4TXV01
	E(C,H,M,U)1P30B	95G1UH070BE12	15.10	12.50	18000	12600	650	3/4	3/8	3/4	3/8	3/4	3/8	0.053	A4TXV01
	E(C,H,M,U)1P30B+TXV	95G1UH070BE12	15.10	12.50	18000	12600	650	3/4	3/8	3/4	3/8	3/4	3/8	0.053	A4TXV01
	E(C,H,M,U)1P30B	95G1UH045BE12	15.10	12.50	18000	12600	650	3/4	3/8	3/4	3/8	3/4	3/8	0.053	A4TXV01
	E(C,H,M,U)1P30B+TXV	95G1UH045BE12	15.10	12.50	18000	12600	650	3/4	3/8	3/4	3/8	3/4	3/8	0.053	A4TXV01
	E(C,H,M,U)1P30B	95G1DF045BE12	15.10	12.50	18000	12600	650	3/4	3/8	3/4	3/8	3/4	3/8	0.053	A4TXV01
	E(C,H,M,U)1P30B+TXV	95G1DF045BE12	15.10	12.50	18000	12600	650	3/4	3/8	3/4	3/8	3/4	3/8	0.053	A4TXV01
	E(C,H,M,U)1P30B	80G1UH070BE12	15.10	12.50	18000	12600	650	3/4	3/8	3/4	3/8	3/4	3/8	0.053	A4TXV01
	E(C,H,M,U)1P30B+TXV	80G1UH070BE12	15.10	12.50	18000	12600	650	3/4	3/8	3/4	3/8	3/4	3/8	0.053	A4TXV01
	E(C,H,M,U)1P30A	80G1UH045AE12	15.10	12.50	18000	12600	650	3/4	3/8	3/4	3/8	3/4	3/8	0.053	A4TXV01
	E(C,H,M,U)1P30A+TXV	80G1UH045AE12	15.10	12.50	18000	12600	650	3/4	3/8	3/4	3/8	3/4	3/8	0.053	A4TXV01
	E(C,H,M,U)1P30B	80G1DF070BE12	15.10	12.50	18000	12600	650	3/4	3/8	3/4	3/8	3/4	3/8	0.053	A4TXV01
	E(C,H,M,U)1P30B+TXV	80G1DF070BE12	15.10	12.50	18000	12600	650	3/4	3/8	3/4	3/8	3/4	3/8	0.053	A4TXV01
	E(C,H,M,U)1P30A	80G1DF045AE12	15.10	12.50	18000	12600	650	3/4	3/8	3/4	3/8	3/4	3/8	0.053	A4TXV01
E(C,H,M,U)1P30A+TXV	80G1DF045AE12	15.10	12.50	18000	12600	650	3/4	3/8	3/4	3/8	3/4	3/8	0.053	A4TXV01	

Note:
¹ Certified in accordance with Unitary Air Conditioner Certification Program, which is based on AHRI Standard 210/240
² Required to achieve AHRI rating. If NA (Not Applicable) is in the piston column, then TXV is required
³ A blower time delay relay is required to achieve AHRI rating. This feature is standard on all Allied Air Enterprises furnace and AH products.

Cooling Performance with Air Handlers and Furnaces 24

Outdoor Model	Indoor Model	Variable Speed Furnace	SEER	EER	AHRI Rated Capacity ¹ BTUH	Sensible Capacity BTUH	CFM	Refrigerant Connection				Refrigerant Line Size		Indoor Expansion Device		
								Outdoor		Indoor		Suction	Liquid	Piston ²	TXV	
	Evaporator Coil or Air Handler ³	Suction	Liquid	Suction	Liquid											
4AC14*24P-4, -5	BCE3M24C****P		14.00	12.00	23000	17000	850	3/4	3/8	3/4	3/8	3/4	3/8	0.057	A4TXV01	
	BCS2M24V****P		16.00	13.00	23000	17000	850	3/4	3/8	3/4	3/8	3/4	3/8	0.057	A4TXV01	
	BCS3M24C****P		14.00	12.00	23000	17000	850	3/4	3/8	3/4	3/8	3/4	3/8	0.057	A4TXV01	
	BCS3M30E****P		16.0	13.0	23000	17000	850	3/4	3/8	3/4	3/8	3/4	3/8	0.057	A4TXV01	
	E(C,H,M,U)1P23B	EFV08BC		15.10	12.50	23000	17000	850	3/4	3/8	3/4	3/8	3/4	3/8	0.057	A4TXV01
	E(C,H,M,U)1P23B	95G2UH070BV12		16.00	13.00	23000	17000	850	3/4	3/8	3/4	3/8	3/4	3/8	0.057	A4TXV01
	E(C,H,M,U)1P23B	95G2UH070BE12		15.10	12.50	23000	17000	760	3/4	3/8	3/4	3/8	3/4	3/8	0.057	A4TXV01
	E(C,H,M,U)1P23B	95G2UH045BV12		16.00	13.00	23000	17000	850	3/4	3/8	3/4	3/8	3/4	3/8	0.057	A4TXV01
	E(C,H,M,U)1P23B	95G2UH045BE12		15.10	12.50	23000	17000	760	3/4	3/8	3/4	3/8	3/4	3/8	0.057	A4TXV01
	E(C,H,M,U)1P23B	95G2DF070BV16		15.10	12.50	23000	17000	850	3/4	3/8	3/4	3/8	3/4	3/8	0.057	A4TXV01
	E(C,H,M,U)1P23B	95G2DF045BV12		15.10	12.50	23000	17000	850	3/4	3/8	3/4	3/8	3/4	3/8	0.057	A4TXV01
	E(C,H,M,U)1P23B	95G2DF045BE12		15.10	12.50	23000	17000	760	3/4	3/8	3/4	3/8	3/4	3/8	0.057	A4TXV01
	E(C,H,M,U)1P23B	95G1UH070BE12		16.00	13.00	23000	17000	760	3/4	3/8	3/4	3/8	3/4	3/8	0.057	A4TXV01
	E(C,H,M,U)1P23B	95G1UH045BE12		15.10	12.50	23000	17000	760	3/4	3/8	3/4	3/8	3/4	3/8	0.057	A4TXV01
	E(C,H,M,U)1P23B	95G1DF045BE12		15.10	12.50	23000	17000	760	3/4	3/8	3/4	3/8	3/4	3/8	0.057	A4TXV01
	E(C,H,M,U)1P23B	80G2UH090BV16		15.10	12.50	23000	17000	850	3/4	3/8	3/4	3/8	3/4	3/8	0.057	A4TXV01
	E(C,H,M,U)1P23A	80G2UH070AV12		15.10	12.00	23000	17000	850	3/4	3/8	3/4	3/8	3/4	3/8	0.057	A4TXV01
	E(C,H,M,U)1P23B	80G1UH070BE12		16.00	13.00	23000	17000	760	3/4	3/8	3/4	3/8	3/4	3/8	0.057	A4TXV01
	E(C,H,M,U)1P23A	80G1UH045AE12		15.10	12.50	23000	17000	760	3/4	3/8	3/4	3/8	3/4	3/8	0.057	A4TXV01
	E(C,H,M,U)1P23B	80G1DF070BE12		14.50	12.00	23000	17000	760	3/4	3/8	3/4	3/8	3/4	3/8	0.057	A4TXV01
	E(C,H,M,U)1P23A	80G1DF045AE12		15.10	12.50	23000	17000	760	3/4	3/8	3/4	3/8	3/4	3/8	0.057	A4TXV01
	E(C,H,M,U)1P24B	EFV08BC		15.10	12.50	23000	17000	850	3/4	3/8	3/4	3/8	3/4	3/8	0.057	A4TXV01
	E(C,H,M,U)1P24B	95G2UH070BV12		15.10	12.50	23000	17000	850	3/4	3/8	3/4	3/8	3/4	3/8	0.057	A4TXV01
	E(C,H,M,U)1P24B	95G2UH070BE12		15.10	12.50	23000	17000	770	3/4	3/8	3/4	3/8	3/4	3/8	0.057	A4TXV01
	E(C,H,M,U)1P24B	95G2UH045BV12		15.10	12.50	23000	17000	850	3/4	3/8	3/4	3/8	3/4	3/8	0.057	A4TXV01
	E(C,H,M,U)1P24B	95G2UH045BE12		15.10	12.50	23000	17000	770	3/4	3/8	3/4	3/8	3/4	3/8	0.057	A4TXV01
	E(C,H,M,U)1P24B	95G2DF070BV16		15.10	12.50	23000	17000	850	3/4	3/8	3/4	3/8	3/4	3/8	0.057	A4TXV01
	E(C,H,M,U)1P24B	95G2DF045BV12		15.10	12.50	23000	17000	850	3/4	3/8	3/4	3/8	3/4	3/8	0.057	A4TXV01
	E(C,H,M,U)1P24B	95G2DF045BE12		15.10	12.50	23000	17000	770	3/4	3/8	3/4	3/8	3/4	3/8	0.057	A4TXV01
	E(C,H,M,U)1P24B	95G1UH070BE12		15.10	12.50	23000	17000	770	3/4	3/8	3/4	3/8	3/4	3/8	0.057	A4TXV01
	E(C,H,M,U)1P24B	95G1UH045BE12		15.10	12.50	23000	17000	770	3/4	3/8	3/4	3/8	3/4	3/8	0.057	A4TXV01
	E(C,H,M,U)1P24B	95G1DF045BE12		15.10	12.50	23000	17000	770	3/4	3/8	3/4	3/8	3/4	3/8	0.057	A4TXV01
	E(C,H,M,U)1P24B	80G2UH090BV16		15.10	12.50	23000	17000	850	3/4	3/8	3/4	3/8	3/4	3/8	0.057	A4TXV01
	E(C,H,M,U)1P24A	80G2UH070AV12		15.10	12.00	23000	17000	850	3/4	3/8	3/4	3/8	3/4	3/8	0.057	A4TXV01
E(C,H,M,U)1P24B	80G1UH070BE12		14.50	12.50	23000	17000	770	3/4	3/8	3/4	3/8	3/4	3/8	0.057	A4TXV01	
E(C,H,M,U)1P24A	80G1UH045AE12		15.10	12.50	23000	17000	770	3/4	3/8	3/4	3/8	3/4	3/8	0.057	A4TXV01	

Note:
¹ Certified in accordance with Unitary Air Conditioner Certification Program, which is based on AHRI Standard 210/240
² Required to achieve AHRI rating, if NA (Not Applicable) is in the piston column, then TXV is required
³ A blower time delay relay is required to achieve AHRI rating. This feature is standard on all Allied Air Enterprises furnace and AH products.

Cooling Performance with Air Handlers and Furnaces 24

Outdoor Model	Indoor Model	Variable Speed Furnace	SEER	EER	AHRI Rated Capacity ¹ BTUH	Sensible Capacity BTUH	CFM	Refrigerant Connection				Refrigerant Line Size		Indoor Expansion Device	
								Outdoor		Indoor		Suction	Liquid	Piston ²	TXV
	Evaporator Coil or Air Handler ³	Suction	Liquid	Suction	Liquid										
4AC14*24P-4, -5	E(C,H,M,U)1P24B	80G1DF070BE12	14.50	12.00	23000	17000	770	3/4	3/8	3/4	3/8	3/4	3/8	0.057	A4TXV01
	E(C,H,M,U)1P24A	80G1DF045AE12	15.10	12.50	23000	17000	770	3/4	3/8	3/4	3/8	3/4	3/8	0.057	A4TXV01
	E(C,H,M,U)1P29B	EFV08BC	15.10	12.50	23000	17000	850	3/4	3/8	3/4	3/8	3/4	3/8	0.057	A4TXV01
	E(C,H,M,U)1P29B	95G2UH070BV12	16.00	13.00	23000	17000	850	3/4	3/8	3/4	3/8	3/4	3/8	0.057	A4TXV01
	E(C,H,M,U)1P29B	95G2UH070BE12	16.00	13.00	23000	17000	770	3/4	3/8	3/4	3/8	3/4	3/8	0.057	A4TXV01
	E(C,H,M,U)1P29B	95G2UH045BV12	16.00	13.00	23000	17000	850	3/4	3/8	3/4	3/8	3/4	3/8	0.057	A4TXV01
	E(C,H,M,U)1P29B	95G2UH045BE12	16.00	13.00	23000	17000	770	3/4	3/8	3/4	3/8	3/4	3/8	0.057	A4TXV01
	E(C,H,M,U)1P29B	95G2DF070BV16	15.10	12.50	23000	17000	850	3/4	3/8	3/4	3/8	3/4	3/8	0.057	A4TXV01
	E(C,H,M,U)1P29B	95G2DF045BV12	15.10	12.50	23000	17000	850	3/4	3/8	3/4	3/8	3/4	3/8	0.057	A4TXV01
	E(C,H,M,U)1P29B	95G2DF045BE12	15.10	12.50	23000	17000	770	3/4	3/8	3/4	3/8	3/4	3/8	0.057	A4TXV01
	E(C,H,M,U)1P29B	95G1UH070BE12	16.00	13.00	23000	17000	770	3/4	3/8	3/4	3/8	3/4	3/8	0.057	A4TXV01
	E(C,H,M,U)1P29B	95G1UH045BE12	16.00	13.00	23000	17000	770	3/4	3/8	3/4	3/8	3/4	3/8	0.057	A4TXV01
	E(C,H,M,U)1P29B	95G1DF045BE12	15.10	12.50	23000	17000	770	3/4	3/8	3/4	3/8	3/4	3/8	0.057	A4TXV01
	E(C,H,M,U)1P29B	80G2UH090BV16	15.10	12.50	23000	17000	850	3/4	3/8	3/4	3/8	3/4	3/8	0.057	A4TXV01
	E(C,H,M,U)1P29A	80G2UH070AV12	15.10	12.50	23000	17000	850	3/4	3/8	3/4	3/8	3/4	3/8	0.057	A4TXV01
	E(C,H,M,U)1P29B	80G1UH070BE12	16.00	13.00	23000	17000	770	3/4	3/8	3/4	3/8	3/4	3/8	0.057	A4TXV01
	E(C,H,M,U)1P29A	80G1UH045AE12	16.00	13.00	23000	17000	770	3/4	3/8	3/4	3/8	3/4	3/8	0.057	A4TXV01
	E(C,H,M,U)1P29B	80G1DF070BE12	15.10	12.50	23000	17000	770	3/4	3/8	3/4	3/8	3/4	3/8	0.057	A4TXV01
	E(C,H,M,U)1P29A	80G1DF045AE12	15.10	12.50	23000	17000	770	3/4	3/8	3/4	3/8	3/4	3/8	0.057	A4TXV01
	E(C,H,M,U)1P30B	95G2UH070BE12	15.10	12.50	23000	17000	770	3/4	3/8	3/4	3/8	3/4	3/8	0.057	A4TXV01
	E(C,H,M,U)1P30B	95G2UH045BE12	15.10	12.50	23000	17000	770	3/4	3/8	3/4	3/8	3/4	3/8	0.057	A4TXV01
	E(C,H,M,U)1P30B	95G2DF045BE12	15.10	12.50	23000	17000	770	3/4	3/8	3/4	3/8	3/4	3/8	0.057	A4TXV01
	E(C,H,M,U)1P30B	95G1UH070BE12	16.00	13.00	23000	17000	850	3/4	3/8	3/4	3/8	3/4	3/8	0.057	A4TXV01
	E(C,M,U)1P30(A,B)+TDR	EFV08BC	15.10	12.50	23000	17000	850	3/4	3/8	3/4	3/8	3/4	3/8	0.057	A4TXV01
	E(C,M,U)1P30(A,B)+TDR	95G2UH070BV12	16.00	13.00	23000	17000	850	3/4	3/8	3/4	3/8	3/4	3/8	0.057	A4TXV01
	E(C,M,U)1P30(A,B)+TDR	95G2UH045BV12	16.00	13.00	23000	17000	850	3/4	3/8	3/4	3/8	3/4	3/8	0.057	A4TXV01
	E(C,M,U)1P30(A,B)+TDR	95G2DF070BV16	15.10	12.50	23000	17000	850	3/4	3/8	3/4	3/8	3/4	3/8	0.057	A4TXV01
	E(C,M,U)1P30(A,B)+TDR	95G2DF045BV12	15.10	12.50	23000	17000	850	3/4	3/8	3/4	3/8	3/4	3/8	0.057	A4TXV01
	E(C,M,U)1P30(A,B)+TDR	95G1UH070BE12	16.00	13.00	23000	17000	770	3/4	3/8	3/4	3/8	3/4	3/8	0.057	A4TXV01
	E(C,M,U)1P30(A,B)+TDR	95G1UH045BE12	15.10	12.50	23000	17000	770	3/4	3/8	3/4	3/8	3/4	3/8	0.057	A4TXV01
E(C,M,U)1P30(A,B)+TDR	95G1DF045BE12	15.10	12.50	23000	17000	770	3/4	3/8	3/4	3/8	3/4	3/8	0.057	A4TXV01	
E(C,M,U)1P30(A,B)+TDR	80G2UH090BV16	15.10	12.50	23000	17000	850	3/4	3/8	3/4	3/8	3/4	3/8	0.057	A4TXV01	
E(C,M,U)1P30(A,B)+TDR	80G2UH070AV12	16.00	13.00	23000	17000	850	3/4	3/8	3/4	3/8	3/4	3/8	0.057	A4TXV01	
E(C,M,U)1P30(A,B)+TDR	80G1UH070BE12	16.00	13.00	23000	17000	770	3/4	3/8	3/4	3/8	3/4	3/8	0.057	A4TXV01	
E(C,M,U)1P30(A,B)+TDR	80G1UH045AE12	16.00	13.00	23000	17000	770	3/4	3/8	3/4	3/8	3/4	3/8	0.057	A4TXV01	

Note:
¹ Certified in accordance with Unitary Air Conditioner Certification Program, which is based on AHRI Standard 210/240
² Required to achieve AHRI rating. If NA (Not Applicable) is in the piston column, then TXV is required
³ A blower time delay relay is required to achieve AHRI rating. This feature is standard on all Allied Air Enterprises furnace and AH products.

Cooling Performance with Air Handlers and Furnaces 24

Outdoor Model	Indoor Model	Variable Speed Furnace	SEER	EER	AHRI Rated Capacity ¹ BTUH	Sensible Capacity BTUH	CFM	Refrigerant Connection				Refrigerant Line Size		Indoor Expansion Device	
								Outdoor		Indoor		Suction	Liquid	Piston ²	TXV
	Evaporator Coil or Air Handler ³	Suction	Liquid	Suction	Liquid										
4AC14*24P-4, -5	E(C,M,U)1P30(A,B)+TDR	80G1DF070BE12	15.10	12.50	23000	17000	770	3/4	3/8	3/4	3/8	3/4	3/8	0.057	A4TXV01
	E(C,M,U)1P30(A,B)+TDR	80G1DF045AE12	15.10	12.50	23000	17000	770	3/4	3/8	3/4	3/8	3/4	3/8	0.057	A4TXV01
	E(C,H,M,U)1P36(B,C)+TDR	EFV08BC	15.10	12.50	23000	17000	850	3/4	3/8	3/4	3/8	3/4	3/8	0.057	A4TXV01
	E(C,H,M,U)1P36(B,C)+TDR	95G2UH070BV12	15.10	12.50	23000	17000	850	3/4	3/8	3/4	3/8	3/4	3/8	0.057	A4TXV01
	E(C,H,M,U)1P36B	95G2UH070BE12	15.10	12.50	23000	17000	770	3/4	3/8	3/4	3/8	3/4	3/8	0.057	A4TXV01
	E(C,H,M,U)1P36(B,C)+TDR	95G2UH045BV12	15.10	12.50	23000	17000	850	3/4	3/8	3/4	3/8	3/4	3/8	0.057	A4TXV01
	E(C,H,M,U)1P36B	95G2UH045BE12	15.10	12.50	23000	17000	770	3/4	3/8	3/4	3/8	3/4	3/8	0.057	A4TXV01
	E(C,H,M,U)1P36(B,C)+TDR	95G2DF070BV16	15.10	12.50	23000	17000	850	3/4	3/8	3/4	3/8	3/4	3/8	0.057	A4TXV01
	E(C,H,M,U)1P36(B,C)+TDR	95G2DF045BV12	15.10	12.50	23000	17000	850	3/4	3/8	3/4	3/8	3/4	3/8	0.057	A4TXV01
	E(C,H,M,U)1P36B	95G2DF045BE12	15.10	12.50	23000	17000	770	3/4	3/8	3/4	3/8	3/4	3/8	0.057	A4TXV01
	E(C,H,M,U)1P36(B,C)+TDR	95G1UH070BE12	15.10	12.50	23000	17000	770	3/4	3/8	3/4	3/8	3/4	3/8	0.057	A4TXV01
	E(C,H,M,U)1P36(B,C)+TDR	95G1UH045BE12	15.10	12.50	23000	17000	770	3/4	3/8	3/4	3/8	3/4	3/8	0.057	A4TXV01
	E(C,H,M,U)1P36(B,C)+TDR	95G1DF045BE12	15.10	12.50	23000	17000	770	3/4	3/8	3/4	3/8	3/4	3/8	0.057	A4TXV01
	E(C,H,M,U)1P36(B,C)+TDR	80G2UH090BV16	15.10	12.50	23000	17000	850	3/4	3/8	3/4	3/8	3/4	3/8	0.057	A4TXV01
	E(C,H,M,U)1P36(B,C)+TDR	80G2UH070AV12	15.10	12.50	23000	17000	850	3/4	3/8	3/4	3/8	3/4	3/8	0.057	A4TXV01
	E(C,H,M,U)1P36(B,C)+TDR	80G1UH070BE12	16.00	13.00	23000	17000	770	3/4	3/8	3/4	3/8	3/4	3/8	0.057	A4TXV01
	E(C,H,M,U)1P36(A,B,C)+TDR	80G1UH045AE12	16.00	13.00	23000	17000	850	3/4	3/8	3/4	3/8	3/4	3/8	0.057	A4TXV01
	E(C,H,M,U)1P36(B,C)+TDR	80G1DF070BE12	15.10	12.50	23000	17000	770	3/4	3/8	3/4	3/8	3/4	3/8	0.057	A4TXV01

Note:
 1 Certified in accordance with Unitary Air Conditioner Certification Program, which is based on AHRI Standard 210/240
 2 Required to achieve AHRI rating. If NA (Not Applicable) is in the piston column, then TXV is required
 3 A blower time delay relay is required to achieve AHRI rating. This feature is standard on all Allied Air Enterprises furnace and AH products.

Cooling Performance with Air Handlers and Furnaces 30

Outdoor Model	Indoor Model	Variable Speed Furnace	SEER	EER	AHRI Rated Capacity ¹ BTUH	Sensible Capacity BTUH	CFM	Refrigerant Connection				Refrigerant Line Size		Indoor Expansion Device		
								Outdoor		Indoor		Suction	Liquid	Piston ²	TXV	
	Evaporator Coil or Air Handler ³	Suction	Liquid	Suction	Liquid											
4AC14*30P-2,-3	BCE3M30C****P		13.00	11.00	28000	21500	1000	3/4	3/8	3/4	3/8	3/4	3/8	0.065	A4TXV01	
	BCE3M30C****P+TXV		14.00	12.00	27000	21500	1000	3/4	3/8	3/4	3/8	3/4	3/8	0.065	A4TXV01	
	BCS2M36V****P+TXV		14.00	11.50	27000	21500	1000	3/4	3/8	3/4	3/8	3/4	3/8	0.065	A4TXV01	
	BCS3M30C****P		13.00	11.00	28000	21500	1000	3/4	3/8	3/4	3/8	3/4	3/8	0.065	A4TXV01	
	BCS3M30C****P+TXV		14.00	12.00	27000	21500	1000	3/4	3/8	3/4	3/8	3/4	3/8	0.065	A4TXV01	
	BCS3M30E****P		15.1	12.5	27000	21500	1000	3/4	3/8	3/4	3/8	3/4	3/8	0.065	A4TXV01	
	E(C,H,M,U)1P29B	EFV12BC		14.50	12.00	28000	21500	1000	3/4	3/8	3/4	3/8	3/4	3/8	0.065	A4TXV01
	E(C,H,M,U)1P29B	95G2UH070BV12		15.10	12.50	27000	21500	1000	3/4	3/8	3/4	3/8	3/4	3/8	0.065	A4TXV01
	E(C,H,M,U)1P29B+TXV	95G2UH070BV12		16.00	13.00	27000	21500	1000	3/4	3/8	3/4	3/8	3/4	3/8	0.065	A4TXV01
	E(C,H,M,U)1P29B	95G2UH070BE12		15.00	12.00	27000	21500	1000	3/4	3/8	3/4	3/8	3/4	3/8	0.065	A4TXV01
	E(C,H,M,U)1P29B+TXV	95G2UH070BE12		15.00	12.00	27000	21500	1000	3/4	3/8	3/4	3/8	3/4	3/8	0.065	A4TXV01
	E(C,H,M,U)1P29B	95G2UH045BV12		15.10	12.50	27000	21500	1000	3/4	3/8	3/4	3/8	3/4	3/8	0.065	A4TXV01
	E(C,H,M,U)1P29B+TXV	95G2UH045BV12		15.10	12.50	27000	21500	1000	3/4	3/8	3/4	3/8	3/4	3/8	0.065	A4TXV01
	E(C,H,M,U)1P29B	95G2UH045BE12		15.10	12.50	27000	21500	1000	3/4	3/8	3/4	3/8	3/4	3/8	0.065	A4TXV01
	E(C,H,M,U)1P29B+TXV	95G2UH045BE12		15.10	12.50	27000	21500	1000	3/4	3/8	3/4	3/8	3/4	3/8	0.065	A4TXV01
	E(C,H,M,U)1P29B	95G2DF070BV16		15.10	12.50	27000	21500	1000	3/4	3/8	3/4	3/8	3/4	3/8	0.065	A4TXV01
	E(C,H,M,U)1P29B+TXV	95G2DF070BV16		15.10	12.50	27000	21500	1000	3/4	3/8	3/4	3/8	3/4	3/8	0.065	A4TXV01
	E(C,H,M,U)1P29B	95G2DF070BE16		15.10	12.50	27000	21500	1000	3/4	3/8	3/4	3/8	3/4	3/8	0.065	A4TXV01
	E(C,H,M,U)1P29B+TXV	95G2DF070BE16		15.10	12.50	27000	21500	1000	3/4	3/8	3/4	3/8	3/4	3/8	0.065	A4TXV01
	E(C,H,M,U)1P29B	95G2DF045BV12		15.10	12.50	27000	21500	1000	3/4	3/8	3/4	3/8	3/4	3/8	0.065	A4TXV01
	E(C,H,M,U)1P29B+TXV	95G2DF045BV12		15.10	12.50	27000	21500	1000	3/4	3/8	3/4	3/8	3/4	3/8	0.065	A4TXV01
	E(C,H,M,U)1P29B	95G2DF045BE12		15.00	12.00	27000	21500	1000	3/4	3/8	3/4	3/8	3/4	3/8	0.065	A4TXV01
	E(C,H,M,U)1P29B+TXV	95G2DF045BE12		15.00	12.00	27000	21500	1000	3/4	3/8	3/4	3/8	3/4	3/8	0.065	A4TXV01
	E(C,H,M,U)1P29B	95G1UH070BE12		15.00	12.00	27000	21500	1000	3/4	3/8	3/4	3/8	3/4	3/8	0.065	A4TXV01
	E(C,H,M,U)1P29B+TXV	95G1UH070BE12		15.00	12.00	27000	21500	1000	3/4	3/8	3/4	3/8	3/4	3/8	0.065	A4TXV01
	E(C,H,M,U)1P29B	95G1UH045BE12		15.10	12.50	27000	21500	1000	3/4	3/8	3/4	3/8	3/4	3/8	0.065	A4TXV01
	E(C,H,M,U)1P29B+TXV	95G1UH045BE12		15.10	12.50	27000	21500	1000	3/4	3/8	3/4	3/8	3/4	3/8	0.065	A4TXV01
	E(C,H,M,U)1P29B	95G1DF070BE16		15.10	12.50	27000	21500	1000	3/4	3/8	3/4	3/8	3/4	3/8	0.065	A4TXV01
	E(C,H,M,U)1P29B+TXV	95G1DF070BE16		15.10	12.50	27000	21500	1000	3/4	3/8	3/4	3/8	3/4	3/8	0.065	A4TXV01
	E(C,H,M,U)1P29B	95G1DF045BE12		15.00	12.00	27000	21500	1000	3/4	3/8	3/4	3/8	3/4	3/8	0.065	A4TXV01
	E(C,H,M,U)1P29B+TXV	95G1DF045BE12		15.00	12.00	27000	21500	1000	3/4	3/8	3/4	3/8	3/4	3/8	0.065	A4TXV01
	E(C,H,M,U)1P29A	80G2UH070AV12		14.50	12.50	27000	21500	1000	3/4	3/8	3/4	3/8	3/4	3/8	0.065	A4TXV01
E(C,H,M,U)1P29A+TXV	80G2UH070AV12		14.50	12.50	27000	21500	1000	3/4	3/8	3/4	3/8	3/4	3/8	0.065	A4TXV01	
E(C,H,M,U)1P29B	80G1UH090BE16		16.00	13.00	27000	21500	1000	3/4	3/8	3/4	3/8	3/4	3/8	0.065	A4TXV01	
E(C,H,M,U)1P29B+TXV	80G1UH090BE16		15.10	12.50	27000	21500	1000	3/4	3/8	3/4	3/8	3/4	3/8	0.065	A4TXV01	
E(C,H,M,U)1P29B	80G1UH070BE12		14.50	12.00	27000	21500	1000	3/4	3/8	3/4	3/8	3/4	3/8	0.065	A4TXV01	

Note:
¹ Certified in accordance with Unitary Air Conditioner Certification Program, which is based on AHRI Standard 210/240
² Required to achieve AHRI rating. If NA (Not Applicable) is in the piston column, then TXV is required
³ A blower time delay relay is required to achieve AHRI rating. This feature is standard on all Allied Air Enterprises furnace and AH products.

Cooling Performance with Air Handlers and Furnaces 30

Outdoor Model	Indoor Model	Variable Speed Furnace	SEER	EER	AHRI Rated Capacity ¹ BTUH	Sensible Capacity BTUH	CFM	Refrigerant Connection				Refrigerant Line Size		Indoor Expansion Device	
								Outdoor		Indoor		Suction	Liquid	Piston ²	TXV
	Evaporator Coil or Air Handler ³	Suction	Liquid	Suction	Liquid										
4AC14*30P-2,-3	E(C,H,M,U)1P29B+TXV	80G1UH070BE12	14.50	12.00	27000	21500	1000	3/4	3/8	3/4	3/8	3/4	3/8	0.065	A4TXV01
	E(C,H,M,U)1P29A	80G1UH045AE12	15.10	12.50	27000	21500	1000	3/4	3/8	3/4	3/8	3/4	3/8	0.065	A4TXV01
	E(C,H,M,U)1P29A+TXV	80G1UH045AE12	15.10	12.50	27000	21500	1000	3/4	3/8	3/4	3/8	3/4	3/8	0.065	A4TXV01
	E(C,H,M,U)1P29B	80G1DF090BE16	15.10	12.50	27000	21500	1000	3/4	3/8	3/4	3/8	3/4	3/8	0.065	A4TXV01
	E(C,H,M,U)1P29B+TXV	80G1DF090BE16	15.10	12.50	27000	21500	1000	3/4	3/8	3/4	3/8	3/4	3/8	0.065	A4TXV01
	E(C,H,M,U)1P29B	80G1DF070BE12	15.10	12.50	27000	21500	1000	3/4	3/8	3/4	3/8	3/4	3/8	0.065	A4TXV01
	E(C,H,M,U)1P29B+TXV	80G1DF070BE12	15.10	12.50	27000	21500	1000	3/4	3/8	3/4	3/8	3/4	3/8	0.065	A4TXV01
	E(C,H,M,U)1P29A	80G1DF045AE12	15.00	12.00	27000	21500	1000	3/4	3/8	3/4	3/8	3/4	3/8	0.065	A4TXV01
	E(C,H,M,U)1P29A+TXV	80G1DF045AE12	15.00	12.00	27000	21500	1000	3/4	3/8	3/4	3/8	3/4	3/8	0.065	A4TXV01
	E(C,H,M,U)1P36C	EFV16CC	15.10	12.50	28000	21500	1000	3/4	3/8	3/4	3/8	3/4	3/8	0.065	A4TXV01
	E(C,H,M,U)1P36B	EFV12BC	15.10	12.50	28000	21500	1000	3/4	3/8	3/4	3/8	3/4	3/8	0.065	A4TXV01
	E(C,H,M,U)1P36C	95G2UH090CV12	16.00	13.00	27000	21500	1000	3/4	3/8	3/4	3/8	3/4	3/8	0.065	A4TXV01
	E(C,H,M,U)1P36C+TXV	95G2UH090CV12	15.10	12.50	27000	21500	1000	3/4	3/8	3/4	3/8	3/4	3/8	0.065	A4TXV01
	E(C,H,M,U)1P36C	95G2UH090CE16	15.10	12.50	27000	21500	1000	3/4	3/8	3/4	3/8	3/4	3/8	0.065	A4TXV01
	E(C,H,M,U)1P36C+TXV	95G2UH090CE16	15.10	12.50	27000	21500	1000	3/4	3/8	3/4	3/8	3/4	3/8	0.065	A4TXV01
	E(C,H,M,U)1P36B	95G2UH070BV12	15.10	12.50	27000	21500	1000	3/4	3/8	3/4	3/8	3/4	3/8	0.065	A4TXV01
	E(C,H,M,U)1P36B+TXV	95G2UH070BV12	15.10	12.50	27000	21500	1000	3/4	3/8	3/4	3/8	3/4	3/8	0.065	A4TXV01
	E(C,H,M,U)1P36B	95G2UH070BE12	15.10	12.50	27000	21500	1000	3/4	3/8	3/4	3/8	3/4	3/8	0.065	A4TXV01
	E(C,H,M,U)1P36B+TXV	95G2UH070BE12	15.10	12.50	27000	21500	1000	3/4	3/8	3/4	3/8	3/4	3/8	0.065	A4TXV01
	E(C,H,M,U)1P36B	95G2UH045BV12	15.10	12.50	27000	21500	1000	3/4	3/8	3/4	3/8	3/4	3/8	0.065	A4TXV01
	E(C,H,M,U)1P36B+TXV	95G2UH045BV12	15.10	12.50	27000	21500	1000	3/4	3/8	3/4	3/8	3/4	3/8	0.065	A4TXV01
	E(C,H,M,U)1P36B	95G2UH045BE12	15.10	12.50	27000	21500	1000	3/4	3/8	3/4	3/8	3/4	3/8	0.065	A4TXV01
	E(C,H,M,U)1P36B+TXV	95G2UH045BE12	15.10	12.50	27000	21500	1000	3/4	3/8	3/4	3/8	3/4	3/8	0.065	A4TXV01
	E(C,H,M,U)1P36C	95G2DF110CV20	15.10	12.50	27000	21500	1000	3/4	3/8	3/4	3/8	3/4	3/8	0.065	A4TXV01
	E(C,H,M,U)1P36C+TXV	95G2DF110CV20	15.10	12.50	27000	21500	1000	3/4	3/8	3/4	3/8	3/4	3/8	0.065	A4TXV01
	E(C,H,M,U)1P36C	95G2DF090CV20	15.10	12.50	27000	21500	1000	3/4	3/8	3/4	3/8	3/4	3/8	0.065	A4TXV01
	E(C,H,M,U)1P36C+TXV	95G2DF090CV20	15.10	12.50	27000	21500	1000	3/4	3/8	3/4	3/8	3/4	3/8	0.065	A4TXV01
	E(C,H,M,U)1P36C	95G2DF090CE16	15.00	12.00	27000	21500	1000	3/4	3/8	3/4	3/8	3/4	3/8	0.065	A4TXV01
	E(C,H,M,U)1P36C+TXV	95G2DF090CE16	15.00	12.00	27000	21500	1000	3/4	3/8	3/4	3/8	3/4	3/8	0.065	A4TXV01
	E(C,H,M,U)1P36B	95G2DF070BV16	15.10	12.50	27000	21500	1000	3/4	3/8	3/4	3/8	3/4	3/8	0.065	A4TXV01
E(C,H,M,U)1P36B+TXV	95G2DF070BV16	15.10	12.50	27000	21500	1000	3/4	3/8	3/4	3/8	3/4	3/8	0.065	A4TXV01	
E(C,H,M,U)1P36B	95G2DF070BE16	15.10	12.50	27000	21500	1000	3/4	3/8	3/4	3/8	3/4	3/8	0.065	A4TXV01	
E(C,H,M,U)1P36B+TXV	95G2DF070BE16	15.10	12.50	27000	21500	1000	3/4	3/8	3/4	3/8	3/4	3/8	0.065	A4TXV01	
E(C,H,M,U)1P36B	95G2DF045BV12	15.10	12.50	27000	21500	1000	3/4	3/8	3/4	3/8	3/4	3/8	0.065	A4TXV01	
E(C,H,M,U)1P36B+TXV	95G2DF045BV12	15.10	12.50	27000	21500	1000	3/4	3/8	3/4	3/8	3/4	3/8	0.065	A4TXV01	

Note:
 1 Certified in accordance with Unitary Air Conditioner Certification Program, which is based on AHRI Standard 210/240
 2 Required to achieve AHRI rating. If NA (Not Applicable) is in the piston column, then TXV is required
 3 A blower time delay relay is required to achieve AHRI rating. This feature is standard on all Allied Air Enterprises furnace and AH products.

Cooling Performance with Air Handlers and Furnaces 30

Outdoor Model	Indoor Model	Variable Speed Furnace	SEER	EER	AHRI Rated Capacity ¹ BTUH	Sensible Capacity BTUH	CFM	Refrigerant Connection				Refrigerant Line Size		Indoor Expansion Device	
								Outdoor		Indoor		Suction	Liquid	Piston ²	TXV
	Evaporator Coil or Air Handler ³	Suction	Liquid	Suction	Liquid										
4AC14*30P-2,-3	E(C,H,M,U)1P36B	95G2DF045BE12	15.10	12.50	27000	21500	1000	3/4	3/8	3/4	3/8	3/4	3/8	0.065	A4TXV01
	E(C,H,M,U)1P36B+TXV	95G2DF045BE12	15.10	12.50	27000	21500	1000	3/4	3/8	3/4	3/8	3/4	3/8	0.065	A4TXV01
	E(C,H,M,U)1P36C	95G1UH090CE16	15.10	12.50	27000	21500	1000	3/4	3/8	3/4	3/8	3/4	3/8	0.065	A4TXV01
	E(C,H,M,U)1P36C+TXV	95G1UH090CE16	15.10	12.50	27000	21500	1000	3/4	3/8	3/4	3/8	3/4	3/8	0.065	A4TXV01
	E(C,H,M,U)1P36B	95G1UH070BE12	15.10	12.50	27000	21500	1000	3/4	3/8	3/4	3/8	3/4	3/8	0.065	A4TXV01
	E(C,H,M,U)1P36B+TXV	95G1UH070BE12	15.10	12.50	27000	21500	1000	3/4	3/8	3/4	3/8	3/4	3/8	0.065	A4TXV01
	E(C,H,M,U)1P36B	95G1UH045BE12	15.10	12.50	27000	21500	1000	3/4	3/8	3/4	3/8	3/4	3/8	0.065	A4TXV01
	E(C,H,M,U)1P36B+TXV	95G1UH045BE12	15.10	12.50	27000	21500	1000	3/4	3/8	3/4	3/8	3/4	3/8	0.065	A4TXV01
	E(C,H,M,U)1P36C	95G1DF090CE16	15.00	12.00	27000	21500	1000	3/4	3/8	3/4	3/8	3/4	3/8	0.065	A4TXV01
	E(C,H,M,U)1P36C+TXV	95G1DF090CE16	15.00	12.00	27000	21500	1000	3/4	3/8	3/4	3/8	3/4	3/8	0.065	A4TXV01
	E(C,H,M,U)1P36B	95G1DF070BE16	15.10	12.50	27000	21500	1000	3/4	3/8	3/4	3/8	3/4	3/8	0.065	A4TXV01
	E(C,H,M,U)1P36B+TXV	95G1DF070BE16	15.10	12.50	27000	21500	1000	3/4	3/8	3/4	3/8	3/4	3/8	0.065	A4TXV01
	E(C,H,M,U)1P36B	95G1DF045BE12	15.10	12.50	27000	21500	1000	3/4	3/8	3/4	3/8	3/4	3/8	0.065	A4TXV01
	E(C,H,M,U)1P36B+TXV	95G1DF045BE12	15.10	12.50	27000	21500	1000	3/4	3/8	3/4	3/8	3/4	3/8	0.065	A4TXV01
	E(C,H,M,U)1P36B	80G2UH090BV16	15.10	12.50	27000	21500	1000	3/4	3/8	3/4	3/8	3/4	3/8	0.065	A4TXV01
	E(C,H,M,U)1P36B+TXV	80G2UH090BV16	15.10	12.50	27000	21500	1000	3/4	3/8	3/4	3/8	3/4	3/8	0.065	A4TXV01
	E(C,H,M,U)1P36A	80G2UH070AV12	15.10	12.50	27000	21500	1000	3/4	3/8	3/4	3/8	3/4	3/8	0.065	A4TXV01
	E(C,H,M,U)1P36A+TXV	80G2UH070AV12	15.10	12.50	27000	21500	1000	3/4	3/8	3/4	3/8	3/4	3/8	0.065	A4TXV01
	E(C,H,M,U)1P36B	80G1UH090BE16	16.00	13.00	27000	21500	1000	3/4	3/8	3/4	3/8	3/4	3/8	0.065	A4TXV01
	E(C,H,M,U)1P36B+TXV	80G1UH090BE16	15.10	12.50	27000	21500	1000	3/4	3/8	3/4	3/8	3/4	3/8	0.065	A4TXV01
	E(C,H,M,U)1P36B	80G1UH070BE12	15.10	12.50	27000	21500	1000	3/4	3/8	3/4	3/8	3/4	3/8	0.065	A4TXV01
	E(C,H,M,U)1P36B+TXV	80G1UH070BE12	15.10	12.50	27000	21500	1000	3/4	3/8	3/4	3/8	3/4	3/8	0.065	A4TXV01
	E(C,H,M,U)1P36A	80G1UH045AE12	15.10	12.50	27000	21500	1000	3/4	3/8	3/4	3/8	3/4	3/8	0.065	A4TXV01
	E(C,H,M,U)1P36A+TXV	80G1UH045AE12	15.10	12.50	27000	21500	1000	3/4	3/8	3/4	3/8	3/4	3/8	0.065	A4TXV01
	E(C,H,M,U)1P36B	80G1DF090BE16	15.10	12.50	27000	21500	1000	3/4	3/8	3/4	3/8	3/4	3/8	0.065	A4TXV01
	E(C,H,M,U)1P36B+TXV	80G1DF090BE16	15.10	12.50	27000	21500	1000	3/4	3/8	3/4	3/8	3/4	3/8	0.065	A4TXV01
	E(C,H,M,U)1P36B	80G1DF070BE12	15.10	12.50	27000	21500	1000	3/4	3/8	3/4	3/8	3/4	3/8	0.065	A4TXV01
	E(C,H,M,U)1P36B+TXV	80G1DF070BE12	15.10	12.50	27000	21500	1000	3/4	3/8	3/4	3/8	3/4	3/8	0.065	A4TXV01
	E(C,H,M,U)1P36A	80G1DF045AE12	15.10	12.50	27000	21500	1000	3/4	3/8	3/4	3/8	3/4	3/8	0.065	A4TXV01
	E(C,H,M,U)1P36A+TXV	80G1DF045AE12	15.10	12.50	27000	21500	1000	3/4	3/8	3/4	3/8	3/4	3/8	0.065	A4TXV01
E(C,H,M,U)1P43C	95G2UH090CV12	16.00	13.00	27000	21500	1000	3/4	3/8	3/4	3/8	3/4	3/8	0.065	A4TXV01	
E(C,H,M,U)1P43C+TXV	95G2UH090CV12	15.10	12.50	27000	21500	1000	3/4	3/8	3/4	3/8	3/4	3/8	0.065	A4TXV01	
E(C,H,M,U)1P43C	95G2UH090CE16	15.10	12.50	27000	21500	1000	3/4	3/8	3/4	3/8	3/4	3/8	0.065	A4TXV01	
E(C,H,M,U)1P43C+TXV	95G2UH090CE16	15.10	12.50	27000	21500	1000	3/4	3/8	3/4	3/8	3/4	3/8	0.065	A4TXV01	
E(C,H,M,U)1P43B	95G2UH070BV12	15.10	12.50	27000	21500	1000	3/4	3/8	3/4	3/8	3/4	3/8	0.065	A4TXV01	

Note:

¹ Certified in accordance with Unitary Air Conditioner Certification Program, which is based on AHRI Standard 210/240

² Required to achieve AHRI rating. If NA (Not Applicable) is in the piston column, then TXV is required

³ A blower time delay relay is required to achieve AHRI rating. This feature is standard on all Allied Air Enterprises furnace and AH products.

Cooling Performance with Air Handlers and Furnaces 30

Outdoor Model	Indoor Model	Variable Speed Furnace	SEER	EER	AHRI Rated Capacity ¹ BTUH	Sensible Capacity BTUH	CFM	Refrigerant Connection				Refrigerant Line Size		Indoor Expansion Device	
								Outdoor		Indoor		Suction	Liquid	Piston ²	TXV
	Evaporator Coil or Air Handler ³	Suction	Liquid	Suction	Liquid										
4AC14*30P-2,-3	E(C,H,M,U)1P43B+TXV	95G2UH070BV12	15.10	12.50	27000	21500	1000	3/4	3/8	3/4	3/8	3/4	3/8	0.065	A4TXV01
	E(C,H,M,U)1P43B	95G2UH070BE12	15.10	12.50	27000	21500	1000	3/4	3/8	3/4	3/8	3/4	3/8	0.065	A4TXV01
	E(C,H,M,U)1P43B+TXV	95G2UH070BE12	15.10	12.50	27000	21500	1000	3/4	3/8	3/4	3/8	3/4	3/8	0.065	A4TXV01
	E(C,H,M,U)1P43B	95G2UH045BV12	15.10	12.50	27000	21500	1000	3/4	3/8	3/4	3/8	3/4	3/8	0.065	A4TXV01
	E(C,H,M,U)1P43B+TXV	95G2UH045BV12	15.10	12.50	27000	21500	1000	3/4	3/8	3/4	3/8	3/4	3/8	0.065	A4TXV01
	E(C,H,M,U)1P43B	95G2UH045BE12	15.10	12.50	27000	21500	1000	3/4	3/8	3/4	3/8	3/4	3/8	0.065	A4TXV01
	E(C,H,M,U)1P43B+TXV	95G2UH045BE12	15.10	12.50	27000	21500	1000	3/4	3/8	3/4	3/8	3/4	3/8	0.065	A4TXV01
	E(C,H,M,U)1P43C	95G2DF110CV20	15.10	12.50	27000	21500	1000	3/4	3/8	3/4	3/8	3/4	3/8	0.065	A4TXV01
	E(C,H,M,U)1P43C+TXV	95G2DF110CV20	15.10	12.50	27000	21500	1000	3/4	3/8	3/4	3/8	3/4	3/8	0.065	A4TXV01
	E(C,H,M,U)1P43C	95G2DF090CV20	15.10	12.50	27000	21500	1000	3/4	3/8	3/4	3/8	3/4	3/8	0.065	A4TXV01
	E(C,H,M,U)1P43C+TXV	95G2DF090CV20	15.10	12.50	27000	21500	1000	3/4	3/8	3/4	3/8	3/4	3/8	0.065	A4TXV01
	E(C,H,M,U)1P43C	95G2DF090CE16	14.50	12.00	27000	21500	1000	3/4	3/8	3/4	3/8	3/4	3/8	0.065	A4TXV01
	E(C,H,M,U)1P43C+TXV	95G2DF090CE16	14.50	12.00	27000	21500	1000	3/4	3/8	3/4	3/8	3/4	3/8	0.065	A4TXV01
	E(C,H,M,U)1P43B	95G2DF070BV16	15.10	12.50	27000	21500	1000	3/4	3/8	3/4	3/8	3/4	3/8	0.065	A4TXV01
	E(C,H,M,U)1P43B+TXV	95G2DF070BV16	15.10	12.50	27000	21500	1000	3/4	3/8	3/4	3/8	3/4	3/8	0.065	A4TXV01
	E(C,H,M,U)1P43B	95G2DF070BE16	15.10	12.50	27000	21500	1000	3/4	3/8	3/4	3/8	3/4	3/8	0.065	A4TXV01
	E(C,H,M,U)1P43B+TXV	95G2DF070BE16	15.10	12.50	27000	21500	1000	3/4	3/8	3/4	3/8	3/4	3/8	0.065	A4TXV01
	E(C,H,M,U)1P43B	95G2DF045BV12	15.10	12.50	27000	21500	1000	3/4	3/8	3/4	3/8	3/4	3/8	0.065	A4TXV01
	E(C,H,M,U)1P43B+TXV	95G2DF045BV12	15.10	12.50	27000	21500	1000	3/4	3/8	3/4	3/8	3/4	3/8	0.065	A4TXV01
	E(C,H,M,U)1P43B	95G2DF045BE12	15.10	12.50	27000	21500	1000	3/4	3/8	3/4	3/8	3/4	3/8	0.065	A4TXV01
	E(C,H,M,U)1P43B+TXV	95G2DF045BE12	15.10	12.50	27000	21500	1000	3/4	3/8	3/4	3/8	3/4	3/8	0.065	A4TXV01
	E(C,H,M,U)1P43C	95G1UH090CE16	15.10	12.50	27000	21500	1000	3/4	3/8	3/4	3/8	3/4	3/8	0.065	A4TXV01
	E(C,H,M,U)1P43C+TXV	95G1UH090CE16	15.10	12.50	27000	21500	1000	3/4	3/8	3/4	3/8	3/4	3/8	0.065	A4TXV01
	E(C,H,M,U)1P43B	95G1UH070BE12	15.10	12.50	27000	21500	1000	3/4	3/8	3/4	3/8	3/4	3/8	0.065	A4TXV01
	E(C,H,M,U)1P43B+TXV	95G1UH070BE12	15.10	12.50	27000	21500	1000	3/4	3/8	3/4	3/8	3/4	3/8	0.065	A4TXV01
	E(C,H,M,U)1P43B	95G1UH045BE12	15.10	12.50	27000	21500	1000	3/4	3/8	3/4	3/8	3/4	3/8	0.065	A4TXV01
	E(C,H,M,U)1P43B+TXV	95G1UH045BE12	15.10	12.50	27000	21500	1000	3/4	3/8	3/4	3/8	3/4	3/8	0.065	A4TXV01
	E(C,H,M,U)1P43C	95G1DF090CE16	14.50	12.00	27000	21500	1000	3/4	3/8	3/4	3/8	3/4	3/8	0.065	A4TXV01
	E(C,H,M,U)1P43C+TXV	95G1DF090CE16	14.50	12.00	27000	21500	1000	3/4	3/8	3/4	3/8	3/4	3/8	0.065	A4TXV01
	E(C,H,M,U)1P43B	95G1DF070BE16	15.10	12.50	27000	21500	1000	3/4	3/8	3/4	3/8	3/4	3/8	0.065	A4TXV01
E(C,H,M,U)1P43B+TXV	95G1DF070BE16	15.10	12.50	27000	21500	1000	3/4	3/8	3/4	3/8	3/4	3/8	0.065	A4TXV01	
E(C,H,M,U)1P43B	95G1DF045BE12	15.10	12.50	27000	21500	1000	3/4	3/8	3/4	3/8	3/4	3/8	0.065	A4TXV01	
E(C,H,M,U)1P43B+TXV	95G1DF045BE12	15.10	12.50	27000	21500	1000	3/4	3/8	3/4	3/8	3/4	3/8	0.065	A4TXV01	
E(C,H,M,U)1P43B	80G2UH090BV16	15.10	12.50	27000	21500	1000	3/4	3/8	3/4	3/8	3/4	3/8	0.065	A4TXV01	
E(C,H,M,U)1P43B+TXV	80G2UH090BV16	15.10	12.50	27000	21500	1000	3/4	3/8	3/4	3/8	3/4	3/8	0.065	A4TXV01	
E(C,H,M,U)1P43B	80G1UH090BE16	15.10	12.50	27000	21500	1000	3/4	3/8	3/4	3/8	3/4	3/8	0.065	A4TXV01	
E(C,H,M,U)1P43B+TXV	80G1UH090BE16	16.00	13.00	27000	21500	1000	3/4	3/8	3/4	3/8	3/4	3/8	0.065	A4TXV01	
E(C,H,M,U)1P43B	80G1UH070BE12	15.10	12.50	27000	21500	1000	3/4	3/8	3/4	3/8	3/4	3/8	0.065	A4TXV01	
E(C,H,M,U)1P43B+TXV	80G1UH070BE12	15.10	12.50	27000	21500	1000	3/4	3/8	3/4	3/8	3/4	3/8	0.065	A4TXV01	
E(C,H,M,U)1P43B	80G1DF090BE16	15.10	12.50	27000	21500	1000	3/4	3/8	3/4	3/8	3/4	3/8	0.065	A4TXV01	
E(C,H,M,U)1P43B+TXV	80G1DF090BE16	15.10	12.50	27000	21500	1000	3/4	3/8	3/4	3/8	3/4	3/8	0.065	A4TXV01	
E(C,H,M,U)1P43B	80G1DF070BE12	15.10	12.50	27000	21500	1000	3/4	3/8	3/4	3/8	3/4	3/8	0.065	A4TXV01	
E(C,H,M,U)1P43B+TXV	80G1DF070BE12	15.10	12.50	27000	21500	1000	3/4	3/8	3/4	3/8	3/4	3/8	0.065	A4TXV01	

Note:
 1 Certified in accordance with Unitary Air Conditioner Certification Program, which is based on AHRI Standard 210/240
 2 Required to achieve AHRI rating. If NA (Not Applicable) is in the piston column, then TXV is required
 3 A blower time delay relay is required to achieve AHRI rating. This feature is standard on all Allied Air Enterprises furnace and AH products.

Cooling Performance with Air Handlers and Furnaces 36

Outdoor Model	Indoor Model	Variable Speed Furnace	SEER	EER	AHRI Rated Capacity ¹ BTUH	Sensible Capacity BTUH	CFM	Refrigerant Connection				Refrigerant Line Size		Indoor Expansion Device		
								Outdoor		Indoor		Suction	Liquid	Piston ²	TXV	
	Evaporator Coil or Air Handler ³	Suction	Liquid	Suction	Liquid											
4AC14*36P-2,-3	BCE3M36C****P		13.00	10.50	34000	24800	1200	7/8	3/8	7/8	3/8	7/8	3/8	0.071	A4TXV01	
	BCE3M36C****P+TXV		14.00	12.00	34000	24800	1200	7/8	3/8	7/8	3/8	7/8	3/8	0.071	A4TXV01	
	BCS2M36V****P+TXV		15.10	12.50	34000	24800	1200	7/8	3/8	7/8	3/8	7/8	3/8	0.071	A4TXV01	
	BCS3M36C****P		13.00	10.50	34000	24800	1200	7/8	3/8	7/8	3/8	7/8	3/8	0.071	A4TXV01	
	BCS3M36C****P+TXV		14.00	12.00	34000	24800	1200	7/8	3/8	7/8	3/8	7/8	3/8	0.071	A4TXV01	
	E(C,H,M,U)1P36C	EFV16CC		15.10	12.50	34000	24800	1200	7/8	3/8	7/8	3/8	7/8	3/8	0.071	A4TXV01
	E(C,H,M,U)1P36B	EFV12BC		15.10	12.50	34000	24800	1200	7/8	3/8	7/8	3/8	7/8	3/8	0.071	A4TXV01
	E(C,H,M,U)1P36C	95G2UH110CV20		15.10	12.50	34000	24800	1200	7/8	3/8	7/8	3/8	7/8	3/8	0.071	A4TXV01
	E(C,H,M,U)1P36C+TXV	95G2UH110CV20		15.10	12.50	34000	24800	1200	7/8	3/8	7/8	3/8	7/8	3/8	0.071	A4TXV01
	E(C,H,M,U)1P36C	95G2UH110CE20		15.10	12.50	34000	24800	1200	7/8	3/8	7/8	3/8	7/8	3/8	0.071	A4TXV01
	E(C,H,M,U)1P36C+TXV	95G2UH110CE20		15.10	12.50	34000	24800	1200	7/8	3/8	7/8	3/8	7/8	3/8	0.071	A4TXV01
	E(C,H,M,U)1P36C	95G2UH090CV20		15.10	12.50	34000	24800	1200	7/8	3/8	7/8	3/8	7/8	3/8	0.071	A4TXV01
	E(C,H,M,U)1P36C+TXV	95G2UH090CV20		15.10	12.50	34000	24800	1200	7/8	3/8	7/8	3/8	7/8	3/8	0.071	A4TXV01
	E(C,H,M,U)1P36C	95G2UH090CV12		15.10	12.50	34000	24800	1200	7/8	3/8	7/8	3/8	7/8	3/8	0.071	A4TXV01
	E(C,H,M,U)1P36C+TXV	95G2UH090CV12		15.10	12.50	34000	24800	1200	7/8	3/8	7/8	3/8	7/8	3/8	0.071	A4TXV01
	E(C,H,M,U)1P36C	95G2UH090CE16		15.10	12.50	34000	24800	1200	7/8	3/8	7/8	3/8	7/8	3/8	0.071	A4TXV01
	E(C,H,M,U)1P36C+TXV	95G2UH090CE16		15.10	12.50	34000	24800	1200	7/8	3/8	7/8	3/8	7/8	3/8	0.071	A4TXV01
	E(C,H,M,U)1P36B	95G2UH070BV12		14.50	12.00	34000	24800	1200	7/8	3/8	7/8	3/8	7/8	3/8	0.071	A4TXV01
	E(C,H,M,U)1P36B+TXV	95G2UH070BV12		14.50	12.00	34000	24800	1200	7/8	3/8	7/8	3/8	7/8	3/8	0.071	A4TXV01
	E(C,H,M,U)1P36B	95G2UH045BV12		14.50	12.00	34000	24800	1200	7/8	3/8	7/8	3/8	7/8	3/8	0.071	A4TXV01
	E(C,H,M,U)1P36B+TXV	95G2UH045BV12		14.50	12.00	34000	24800	1200	7/8	3/8	7/8	3/8	7/8	3/8	0.071	A4TXV01
	E(C,H,M,U)1P36C	95G2DF110CV20		15.10	12.50	34000	24800	1200	7/8	3/8	7/8	3/8	7/8	3/8	0.071	A4TXV01
	E(C,H,M,U)1P36C+TXV	95G2DF110CV20		15.10	12.50	34000	24800	1200	7/8	3/8	7/8	3/8	7/8	3/8	0.071	A4TXV01
	E(C,H,M,U)1P36C	95G2DF110CE20		15.10	12.50	34000	24800	1200	7/8	3/8	7/8	3/8	7/8	3/8	0.071	A4TXV01
	E(C,H,M,U)1P36C+TXV	95G2DF110CE20		15.10	12.50	34000	24800	1200	7/8	3/8	7/8	3/8	7/8	3/8	0.071	A4TXV01
	E(C,H,M,U)1P36C	95G2DF090CV20		14.50	12.00	34000	24800	1200	7/8	3/8	7/8	3/8	7/8	3/8	0.071	A4TXV01
	E(C,H,M,U)1P36C+TXV	95G2DF090CV20		14.50	12.00	34000	24800	1200	7/8	3/8	7/8	3/8	7/8	3/8	0.071	A4TXV01
	E(C,H,M,U)1P36C	95G2DF090CE16		15.10	12.50	34000	24800	1200	7/8	3/8	7/8	3/8	7/8	3/8	0.071	A4TXV01
	E(C,H,M,U)1P36C+TXV	95G2DF090CE16		15.10	12.50	34000	24800	1200	7/8	3/8	7/8	3/8	7/8	3/8	0.071	A4TXV01
	E(C,H,M,U)1P36B	95G2DF070BE16		14.50	12.00	34000	24800	1200	7/8	3/8	7/8	3/8	7/8	3/8	0.071	A4TXV01
	E(C,H,M,U)1P36B+TXV	95G2DF070BE16		14.50	12.00	34000	24800	1200	7/8	3/8	7/8	3/8	7/8	3/8	0.071	A4TXV01
	E(C,H,M,U)1P36B	95G2DF045BV12		14.50	12.00	34000	24800	1200	7/8	3/8	7/8	3/8	7/8	3/8	0.071	A4TXV01
	E(C,H,M,U)1P36B+TXV	95G2DF045BV12		14.50	12.00	34000	24800	1200	7/8	3/8	7/8	3/8	7/8	3/8	0.071	A4TXV01
	E(C,H,M,U)1P36C	95G1UH110CE20		15.10	12.50	34000	24800	1200	7/8	3/8	7/8	3/8	7/8	3/8	0.071	A4TXV01
	E(C,H,M,U)1P36C+TXV	95G1UH110CE20		15.10	12.50	34000	24800	1200	7/8	3/8	7/8	3/8	7/8	3/8	0.071	A4TXV01

Note:

¹ Certified in accordance with Unitary Air Conditioner Certification Program, which is based on AHRI Standard 210/240

² Required to achieve AHRI rating. If NA (Not Applicable) is in the piston column, then TXV is required

³ A blower time delay relay is required to achieve AHRI rating. This feature is standard on all Allied Air Enterprises furnace and AH products.

Cooling Performance with Air Handlers and Furnaces 36

Outdoor Model	Indoor Model	Variable Speed Furnace	SEER	EER	AHRI Rated Capacity ¹ BTUH	Sensible Capacity BTUH	CFM	Refrigerant Connection				Refrigerant Line Size		Indoor Expansion Device	
								Outdoor		Indoor		Suction	Liquid	Piston ²	TXV
	Evaporator Coil or Air Handler ³	Suction	Liquid	Suction	Liquid										
4AC14*36P-2,-3	E(C,H,M,U)1P36C	95G1UH090CE16	15.10	12.50	34000	24800	1200	7/8	3/8	7/8	3/8	7/8	3/8	0.071	A4TXV01
	E(C,H,M,U)1P36C+TXV	95G1UH090CE16	15.10	12.50	34000	24800	1200	7/8	3/8	7/8	3/8	7/8	3/8	0.071	A4TXV01
	E(C,H,M,U)1P36C	95G1DF110CE20	15.10	12.50	34000	24800	1200	7/8	3/8	7/8	3/8	7/8	3/8	0.071	A4TXV01
	E(C,H,M,U)1P36C+TXV	95G1DF110CE20	15.10	12.50	34000	24800	1200	7/8	3/8	7/8	3/8	7/8	3/8	0.071	A4TXV01
	E(C,H,M,U)1P36C	95G1DF090CE16	15.10	12.50	34000	24800	1200	7/8	3/8	7/8	3/8	7/8	3/8	0.071	A4TXV01
	E(C,H,M,U)1P36C+TXV	95G1DF090CE16	15.10	12.50	34000	24800	1200	7/8	3/8	7/8	3/8	7/8	3/8	0.071	A4TXV01
	E(C,H,M,U)1P36B	95G1DF070BE16	14.50	12.00	34000	24800	1200	7/8	3/8	7/8	3/8	7/8	3/8	0.071	A4TXV01
	E(C,H,M,U)1P36B+TXV	95G1DF070BE16	14.50	12.00	34000	24800	1200	7/8	3/8	7/8	3/8	7/8	3/8	0.071	A4TXV01
	E(C,H,M,U)1P36B	80G2UH090BV16	14.50	12.00	34000	24800	1200	7/8	3/8	7/8	3/8	7/8	3/8	0.071	A4TXV01
	E(C,H,M,U)1P36B+TXV	80G2UH090BV16	14.50	12.00	34000	24800	1200	7/8	3/8	7/8	3/8	7/8	3/8	0.071	A4TXV01
	E(C,H,M,U)1P36C	80G1UH110CE20	15.10	12.50	34000	24800	1200	7/8	3/8	7/8	3/8	7/8	3/8	0.071	A4TXV01
	E(C,H,M,U)1P36C+TXV	80G1UH110CE20	16.00	13.00	34000	24800	1200	7/8	3/8	7/8	3/8	7/8	3/8	0.071	A4TXV01
	E(C,H,M,U)1P36C	80G1UH090CE20	15.10	12.50	34000	24800	1200	7/8	3/8	7/8	3/8	7/8	3/8	0.071	A4TXV01
	E(C,H,M,U)1P36C+TXV	80G1UH090CE20	15.10	12.50	34000	24800	1200	7/8	3/8	7/8	3/8	7/8	3/8	0.071	A4TXV01
	E(C,H,M,U)1P36B	80G1UH090BE16	15.00	12.00	34000	24800	1200	7/8	3/8	7/8	3/8	7/8	3/8	0.071	A4TXV01
	E(C,H,M,U)1P36B+TXV	80G1UH090BE16	15.00	12.00	34000	24800	1200	7/8	3/8	7/8	3/8	7/8	3/8	0.071	A4TXV01
	E(C,H,M,U)1P36B	80G1UH070BE12	16.00	13.00	34000	24800	1200	7/8	3/8	7/8	3/8	7/8	3/8	0.071	A4TXV01
	E(C,H,M,U)1P36B+TXV	80G1UH070BE12	14.50	12.00	34000	24800	1200	7/8	3/8	7/8	3/8	7/8	3/8	0.071	A4TXV01
	E(C,H,M,U)1P36A	80G1UH045AE12	14.50	12.00	34000	24800	1200	7/8	3/8	7/8	3/8	7/8	3/8	0.071	A4TXV01
	E(C,H,M,U)1P36A+TXV	80G1UH045AE12	14.50	12.00	34000	24800	1200	7/8	3/8	7/8	3/8	7/8	3/8	0.071	A4TXV01
	E(C,H,M,U)1P36C	80G1DF110CE20	15.10	12.50	34000	24800	1200	7/8	3/8	7/8	3/8	7/8	3/8	0.071	A4TXV01
	E(C,H,M,U)1P36C+TXV	80G1DF110CE20	15.10	12.50	34000	24800	1200	7/8	3/8	7/8	3/8	7/8	3/8	0.071	A4TXV01
	E(C,H,M,U)1P36B	80G1DF090BE16	15.10	12.50	34000	24800	1200	7/8	3/8	7/8	3/8	7/8	3/8	0.071	A4TXV01
	E(C,H,M,U)1P36B+TXV	80G1DF090BE16	15.10	12.50	34000	24800	1200	7/8	3/8	7/8	3/8	7/8	3/8	0.071	A4TXV01
	E(C,H,M,U)1P36B	80G1DF070BE12	14.50	12.00	34000	24800	1200	7/8	3/8	7/8	3/8	7/8	3/8	0.071	A4TXV01
	E(C,H,M,U)1P36B+TXV	80G1DF070BE12	14.50	12.00	34000	24800	1200	7/8	3/8	7/8	3/8	7/8	3/8	0.071	A4TXV01
	E(C,H,M,U)1P36A	80G1DF045AE12	14.50	12.00	34000	24800	1200	7/8	3/8	7/8	3/8	7/8	3/8	0.071	A4TXV01
	E(C,H,M,U)1P36A+TXV	80G1DF045AE12	14.50	12.00	34000	24800	1200	7/8	3/8	7/8	3/8	7/8	3/8	0.071	A4TXV01
	E(C,H,M,U)1P43C	EFV16CC	15.10	12.50	34000	24800	1200	7/8	3/8	7/8	3/8	7/8	3/8	0.071	A4TXV01
	E(C,H,M,U)1P43C	95G2UH110CV20	15.10	12.50	34000	24800	1200	7/8	3/8	7/8	3/8	7/8	3/8	0.071	A4TXV01
	E(C,H,M,U)1P43C+TXV	95G2UH110CV20	15.10	12.50	34000	24800	1200	7/8	3/8	7/8	3/8	7/8	3/8	0.071	A4TXV01
	E(C,H,M,U)1P43C	95G2UH110CE20	15.10	12.50	34000	24800	1200	7/8	3/8	7/8	3/8	7/8	3/8	0.071	A4TXV01
	E(C,H,M,U)1P43C+TXV	95G2UH110CE20	15.10	12.50	34000	24800	1200	7/8	3/8	7/8	3/8	7/8	3/8	0.071	A4TXV01
	E(C,H,M,U)1P43C	95G2UH090CV20	15.10	12.50	34000	24800	1200	7/8	3/8	7/8	3/8	7/8	3/8	0.071	A4TXV01
	E(C,H,M,U)1P43C+TXV	95G2UH090CV20	15.10	12.50	34000	24800	1200	7/8	3/8	7/8	3/8	7/8	3/8	0.071	A4TXV01

Note:
 1 Certified in accordance with Unitary Air Conditioner Certification Program, which is based on AHRI Standard 210/240
 2 Required to achieve AHRI rating. If NA (Not Applicable) is in the piston column, then TXV is required
 3 A blower time delay relay is required to achieve AHRI rating. This feature is standard on all Allied Air Enterprises furnace and AH products.

Cooling Performance with Air Handlers and Furnaces 36

Outdoor Model	Indoor Model	Variable Speed Furnace	SEER	EER	AHRI Rated Capacity ¹ BTUH	Sensible Capacity BTUH	CFM	Refrigerant Connection				Refrigerant Line Size		Indoor Expansion Device	
								Outdoor		Indoor		Suction	Liquid	Piston ²	TXV
	Evaporator Coil or Air Handler ³	Suction	Liquid	Suction	Liquid										
4AC14*36P-2,-3	E(C,H,M,U)1P43C	95G2UH090CV12	15.10	12.50	34000	24800	1200	7/8	3/8	7/8	3/8	7/8	3/8	0.071	A4TXV01
	E(C,H,M,U)1P43C+TXV	95G2UH090CV12	15.10	12.50	34000	24800	1200	7/8	3/8	7/8	3/8	7/8	3/8	0.071	A4TXV01
	E(C,H,M,U)1P43C	95G2UH090CE16	15.10	12.50	34000	24800	1200	7/8	3/8	7/8	3/8	7/8	3/8	0.071	A4TXV01
	E(C,H,M,U)1P43C+TXV	95G2UH090CE16	15.10	12.50	34000	24800	1200	7/8	3/8	7/8	3/8	7/8	3/8	0.071	A4TXV01
	E(C,H,M,U)1P43B	95G2UH070BV12	14.50	12.00	34000	24800	1200	7/8	3/8	7/8	3/8	7/8	3/8	0.071	A4TXV01
	E(C,H,M,U)1P43B+TXV	95G2UH070BV12	14.50	12.00	34000	24800	1200	7/8	3/8	7/8	3/8	7/8	3/8	0.071	A4TXV01
	E(C,H,M,U)1P43B	95G2UH045BV12	14.50	12.00	34000	24800	1200	7/8	3/8	7/8	3/8	7/8	3/8	0.071	A4TXV01
	E(C,H,M,U)1P43B+TXV	95G2UH045BV12	14.50	12.00	34000	24800	1200	7/8	3/8	7/8	3/8	7/8	3/8	0.071	A4TXV01
	E(C,H,M,U)1P43C	95G2DF110CV20	15.10	12.50	34000	24800	1200	7/8	3/8	7/8	3/8	7/8	3/8	0.071	A4TXV01
	E(C,H,M,U)1P43C+TXV	95G2DF110CV20	15.10	12.50	34000	24800	1200	7/8	3/8	7/8	3/8	7/8	3/8	0.071	A4TXV01
	E(C,H,M,U)1P43C	95G2DF110CE20	15.10	12.50	34000	24800	1200	7/8	3/8	7/8	3/8	7/8	3/8	0.071	A4TXV01
	E(C,H,M,U)1P43C+TXV	95G2DF110CE20	15.10	12.50	34000	24800	1200	7/8	3/8	7/8	3/8	7/8	3/8	0.071	A4TXV01
	E(C,H,M,U)1P43C	95G2DF090CV20	15.10	12.50	34000	24800	1200	7/8	3/8	7/8	3/8	7/8	3/8	0.071	A4TXV01
	E(C,H,M,U)1P43C+TXV	95G2DF090CV20	15.10	12.50	34000	24800	1200	7/8	3/8	7/8	3/8	7/8	3/8	0.071	A4TXV01
	E(C,H,M,U)1P43C	95G2DF090CE16	15.10	12.50	34000	24800	1200	7/8	3/8	7/8	3/8	7/8	3/8	0.071	A4TXV01
	E(C,H,M,U)1P43C+TXV	95G2DF090CE16	15.10	12.50	34000	24800	1200	7/8	3/8	7/8	3/8	7/8	3/8	0.071	A4TXV01
	E(C,H,M,U)1P43B	95G2DF070BE16	15.10	12.50	34000	24800	1200	7/8	3/8	7/8	3/8	7/8	3/8	0.071	A4TXV01
	E(C,H,M,U)1P43B+TXV	95G2DF070BE16	15.10	12.50	34000	24800	1200	7/8	3/8	7/8	3/8	7/8	3/8	0.071	A4TXV01
	E(C,H,M,U)1P43B	95G2DF045BV12	14.50	12.00	34000	24800	1200	7/8	3/8	7/8	3/8	7/8	3/8	0.071	A4TXV01
	E(C,H,M,U)1P43B+TXV	95G2DF045BV12	14.50	12.00	34000	24800	1200	7/8	3/8	7/8	3/8	7/8	3/8	0.071	A4TXV01
	E(C,H,M,U)1P43C	95G1UH110CE20	15.10	12.50	34000	24800	1200	7/8	3/8	7/8	3/8	7/8	3/8	0.071	A4TXV01
	E(C,H,M,U)1P43C+TXV	95G1UH110CE20	15.10	12.50	34000	24800	1200	7/8	3/8	7/8	3/8	7/8	3/8	0.071	A4TXV01
	E(C,H,M,U)1P43C	95G1UH090CE16	15.10	12.50	34000	24800	1200	7/8	3/8	7/8	3/8	7/8	3/8	0.071	A4TXV01
	E(C,H,M,U)1P43C+TXV	95G1UH090CE16	15.10	12.50	34000	24800	1200	7/8	3/8	7/8	3/8	7/8	3/8	0.071	A4TXV01
	E(C,H,M,U)1P43C	95G1DF110CE20	15.10	12.50	34000	24800	1200	7/8	3/8	7/8	3/8	7/8	3/8	0.071	A4TXV01
	E(C,H,M,U)1P43C+TXV	95G1DF110CE20	15.10	12.50	34000	24800	1200	7/8	3/8	7/8	3/8	7/8	3/8	0.071	A4TXV01
	E(C,H,M,U)1P43C	95G1DF090CE16	15.10	12.50	34000	24800	1200	7/8	3/8	7/8	3/8	7/8	3/8	0.071	A4TXV01
	E(C,H,M,U)1P43C+TXV	95G1DF090CE16	15.10	12.50	34000	24800	1200	7/8	3/8	7/8	3/8	7/8	3/8	0.071	A4TXV01
	E(C,H,M,U)1P43B	95G1DF070BE16	15.10	12.50	34000	24800	1200	7/8	3/8	7/8	3/8	7/8	3/8	0.071	A4TXV01
	E(C,H,M,U)1P43B+TXV	95G1DF070BE16	15.10	12.50	34000	24800	1200	7/8	3/8	7/8	3/8	7/8	3/8	0.071	A4TXV01
E(C,H,M,U)1P43B	80G2UH090BV16	14.00	12.00	34000	24800	1200	7/8	3/8	7/8	3/8	7/8	3/8	0.071	A4TXV01	
E(C,H,M,U)1P43B+TXV	80G2UH090BV16	14.00	12.00	34000	24800	1200	7/8	3/8	7/8	3/8	7/8	3/8	0.071	A4TXV01	
E(C,H,M,U)1P43C	80G1UH110CE20	16.00	13.00	34000	24800	1200	7/8	3/8	7/8	3/8	7/8	3/8	0.071	A4TXV01	
E(C,H,M,U)1P43C+TXV	80G1UH110CE20	15.10	12.50	34000	24800	1200	7/8	3/8	7/8	3/8	7/8	3/8	0.071	A4TXV01	
E(C,H,M,U)1P43C	80G1UH090CE20	16.00	13.00	34000	24800	1200	7/8	3/8	7/8	3/8	7/8	3/8	0.071	A4TXV01	

Note:

¹ Certified in accordance with Unitary Air Conditioner Certification Program, which is based on AHRI Standard 210/240

² Required to achieve AHRI rating. If NA (Not Applicable) is in the piston column, then TXV is required

³ A blower time delay relay is required to achieve AHRI rating. This feature is standard on all Allied Air Enterprises furnace and AH products.

Cooling Performance with Air Handlers and Furnaces 36

Outdoor Model	Indoor Model	Variable Speed Furnace	SEER	EER	AHRI Rated Capacity ¹ BTUH	Sensible Capacity BTUH	CFM	Refrigerant Connection				Refrigerant Line Size		Indoor Expansion Device	
								Outdoor		Indoor		Suction	Liquid	Piston ²	TXV
	Evaporator Coil or Air Handler ³	Suction	Liquid	Suction	Liquid										
4AC14*36P-2,-3	E(C,H,M,U)1P43C+TXV	80G1UH090CE20	15.10	12.50	34000	24800	1200	7/8	3/8	7/8	3/8	7/8	3/8	0.071	A4TXV01
	E(C,H,M,U)1P43B	80G1UH090BE16	15.10	12.50	34000	24800	1200	7/8	3/8	7/8	3/8	7/8	3/8	0.071	A4TXV01
	E(C,H,M,U)1P43B+TXV	80G1UH090BE16	15.10	12.50	34000	24800	1200	7/8	3/8	7/8	3/8	7/8	3/8	0.071	A4TXV01
	E(C,H,M,U)1P43B	80G1UH070BE12	16.00	13.00	34000	24800	1200	7/8	3/8	7/8	3/8	7/8	3/8	0.071	A4TXV01
	E(C,H,M,U)1P43B+TXV	80G1UH070BE12	14.50	12.00	34000	24800	1200	7/8	3/8	7/8	3/8	7/8	3/8	0.071	A4TXV01
	E(C,H,M,U)1P43C	80G1DF110CE20	15.10	12.50	34000	24800	1200	7/8	3/8	7/8	3/8	7/8	3/8	0.071	A4TXV01
	E(C,H,M,U)1P43C+TXV	80G1DF110CE20	15.10	12.50	34000	24800	1200	7/8	3/8	7/8	3/8	7/8	3/8	0.071	A4TXV01
	E(C,H,M,U)1P43B	80G1DF090BE16	15.10	12.50	34000	24800	1200	7/8	3/8	7/8	3/8	7/8	3/8	0.071	A4TXV01
	E(C,H,M,U)1P43B+TXV	80G1DF090BE16	15.10	12.50	34000	24800	1200	7/8	3/8	7/8	3/8	7/8	3/8	0.071	A4TXV01
	E(C,H,M,U)1P43B	80G1DF070BE12	14.50	12.00	34000	24800	1200	7/8	3/8	7/8	3/8	7/8	3/8	0.071	A4TXV01
	E(C,H,M,U)1P43B+TXV	80G1DF070BE12	14.50	12.00	34000	24800	1200	7/8	3/8	7/8	3/8	7/8	3/8	0.071	A4TXV01
	E(C,M,U)1P48C+TXV	95G2UH110CV20	14.50	12.00	34000	24800	1200	7/8	3/8	7/8	3/8	7/8	3/8	0.071	A4TXV01
	E(C,M,U)1P48C+TXV	95G2UH110CE20	14.50	12.00	34000	24800	1200	7/8	3/8	7/8	3/8	7/8	3/8	0.071	A4TXV01
	E(C,M,U)1P48C+TXV	95G2UH090CV20	14.50	12.00	34000	24800	1200	7/8	3/8	7/8	3/8	7/8	3/8	0.071	A4TXV01
	E(C,M,U)1P48C+TXV	95G2UH090CV12	14.50	12.00	34000	24800	1200	7/8	3/8	7/8	3/8	7/8	3/8	0.071	A4TXV01
	E(C,M,U)1P48C+TXV	95G2UH090CE16	14.50	12.00	34000	24800	1200	7/8	3/8	7/8	3/8	7/8	3/8	0.071	A4TXV01
	E(C,M,U)1P48B+TXV	95G2UH070BV12	14.50	12.00	34000	24800	1200	7/8	3/8	7/8	3/8	7/8	3/8	0.071	A4TXV01
	E(C,M,U)1P48B+TXV	95G2UH045BV12	14.50	12.00	34000	24800	1200	7/8	3/8	7/8	3/8	7/8	3/8	0.071	A4TXV01
	E(C,M,U)1P48C+TXV	95G2DF110CV20	14.50	12.00	34000	24800	1200	7/8	3/8	7/8	3/8	7/8	3/8	0.071	A4TXV01
	E(C,M,U)1P48C+TXV	95G2DF110CE20	14.50	12.00	34000	24800	1200	7/8	3/8	7/8	3/8	7/8	3/8	0.071	A4TXV01
	E(C,M,U)1P48C+TXV	95G2DF090CV20	14.50	12.00	34000	24800	1200	7/8	3/8	7/8	3/8	7/8	3/8	0.071	A4TXV01
	E(C,M,U)1P48C+TXV	95G2DF090CE16	14.50	12.00	34000	24800	1200	7/8	3/8	7/8	3/8	7/8	3/8	0.071	A4TXV01
	E(C,M,U)1P48B+TXV	95G2DF070BE16	14.50	12.00	34000	24800	1200	7/8	3/8	7/8	3/8	7/8	3/8	0.071	A4TXV01
	E(C,M,U)1P48B+TXV	95G2DF045BV12	14.50	12.00	34000	24800	1200	7/8	3/8	7/8	3/8	7/8	3/8	0.071	A4TXV01
	E(C,M,U)1P48C+TXV	95G1UH110CE20	14.50	12.00	34000	24800	1200	7/8	3/8	7/8	3/8	7/8	3/8	0.071	A4TXV01
	E(C,M,U)1P48C+TXV	95G1UH090CE16	14.50	12.00	34000	24800	1200	7/8	3/8	7/8	3/8	7/8	3/8	0.071	A4TXV01
	E(C,M,U)1P48C+TXV	95G1DF110CE20	14.50	12.00	34000	24800	1200	7/8	3/8	7/8	3/8	7/8	3/8	0.071	A4TXV01
	E(C,M,U)1P48C+TXV	95G1DF090CE16	14.50	12.00	34000	24800	1200	7/8	3/8	7/8	3/8	7/8	3/8	0.071	A4TXV01
	E(C,M,U)1P48B+TXV	95G1DF070BE16	14.50	12.00	34000	24800	1200	7/8	3/8	7/8	3/8	7/8	3/8	0.071	A4TXV01
	E(C,M,U)1P48C+TXV	80G2UH110CV20	14.50	12.00	34000	24800	1200	7/8	3/8	7/8	3/8	7/8	3/8	0.071	A4TXV01
E(C,M,U)1P48C+TXV	80G1UH110CE20	16.00	13.00	34000	24800	1200	7/8	3/8	7/8	3/8	7/8	3/8	0.071	A4TXV01	
E(C,M,U)1P48C+TXV	80G1UH090CE20	14.50	12.00	34000	24800	1200	7/8	3/8	7/8	3/8	7/8	3/8	0.071	A4TXV01	
E(C,M,U)1P48B+TXV	80G1UH090BE16	14.50	12.00	34000	24800	1200	7/8	3/8	7/8	3/8	7/8	3/8	0.071	A4TXV01	
E(C,M,U)1P48B+TXV	80G1UH070BE12	16.00	13.00	34000	24800	1200	7/8	3/8	7/8	3/8	7/8	3/8	0.071	A4TXV01	
E(C,M,U)1P48C+TXV	80G1DF110CE20	14.50	12.00	34000	24800	1200	7/8	3/8	7/8	3/8	7/8	3/8	0.071	A4TXV01	

Note:
 1 Certified in accordance with Unitary Air Conditioner Certification Program, which is based on AHRI Standard 210/240
 2 Required to achieve AHRI rating. If NA (Not Applicable) is in the piston column, then TXV is required
 3 A blower time delay relay is required to achieve AHRI rating. This feature is standard on all Allied Air Enterprises furnace and AH products.

Cooling Performance with Air Handlers and Furnaces 36

Outdoor Model	Indoor Model	Variable Speed Furnace	SEER	EER	AHRI Rated Capacity ¹ BTUH	Sensible Capacity BTUH	CFM	Refrigerant Connection				Refrigerant Line Size		Indoor Expansion Device	
								Outdoor		Indoor		Suction	Liquid	Piston ²	TXV
	Evaporator Coil or Air Handler ³	Suction	Liquid	Suction	Liquid										
4AC14*36P-2,-3	E(C,M,U)1P48B+TXV	80G1DF090BE16	14.50	12.00	34000	24800	1200	7/8	3/8	7/8	3/8	7/8	3/8	0.071	A4TXV01
	E(C,M,U)1P48B+TXV	80G1DF070BE12	14.50	12.00	34000	24800	1200	7/8	3/8	7/8	3/8	7/8	3/8	0.071	A4TXV01
	E(C,H,U)1P49C	95G2UH110CV20	14.50	12.00	34000	24800	1200	7/8	3/8	7/8	3/8	7/8	3/8	0.071	A4TXV01
	E(C,H,U)1P49C+TXV	95G2UH110CV20	14.50	12.00	34000	24800	1200	7/8	3/8	7/8	3/8	7/8	3/8	0.071	A4TXV01
	E(C,H,U)1P49C	95G2UH110CE20	14.50	12.00	34000	24800	1200	7/8	3/8	7/8	3/8	7/8	3/8	0.071	A4TXV01
	E(C,H,U)1P49C+TXV	95G2UH110CE20	14.50	12.00	34000	24800	1200	7/8	3/8	7/8	3/8	7/8	3/8	0.071	A4TXV01
	E(C,H,U)1P49C	95G2UH090CV20	14.50	12.00	34000	24800	1200	7/8	3/8	7/8	3/8	7/8	3/8	0.071	A4TXV01
	E(C,H,U)1P49C+TXV	95G2UH090CV20	14.50	12.00	34000	24800	1200	7/8	3/8	7/8	3/8	7/8	3/8	0.071	A4TXV01
	E(C,H,U)1P49C	95G2UH090CV12	14.50	12.00	34000	24800	1200	7/8	3/8	7/8	3/8	7/8	3/8	0.071	A4TXV01
	E(C,H,U)1P49C+TXV	95G2UH090CV12	14.50	12.00	34000	24800	1200	7/8	3/8	7/8	3/8	7/8	3/8	0.071	A4TXV01
	E(C,H,U)1P49C	95G2UH090CE16	14.50	12.00	34000	24800	1200	7/8	3/8	7/8	3/8	7/8	3/8	0.071	A4TXV01
	E(C,H,U)1P49C+TXV	95G2UH090CE16	14.50	12.00	34000	24800	1200	7/8	3/8	7/8	3/8	7/8	3/8	0.071	A4TXV01
	E(C,H,U)1P49C	95G2DF110CV20	14.50	12.00	34000	24800	1200	7/8	3/8	7/8	3/8	7/8	3/8	0.071	A4TXV01
	E(C,H,U)1P49C+TXV	95G2DF110CV20	14.50	12.00	34000	24800	1200	7/8	3/8	7/8	3/8	7/8	3/8	0.071	A4TXV01
	E(C,H,U)1P49C	95G2DF110CE20	14.50	12.00	34000	24800	1200	7/8	3/8	7/8	3/8	7/8	3/8	0.071	A4TXV01
	E(C,H,U)1P49C+TXV	95G2DF110CE20	14.50	12.00	34000	24800	1200	7/8	3/8	7/8	3/8	7/8	3/8	0.071	A4TXV01
	E(C,H,U)1P49C	95G2DF090CV20	14.50	12.00	34000	24800	1200	7/8	3/8	7/8	3/8	7/8	3/8	0.071	A4TXV01
	E(C,H,U)1P49C+TXV	95G2DF090CV20	14.50	12.00	34000	24800	1200	7/8	3/8	7/8	3/8	7/8	3/8	0.071	A4TXV01
	E(C,H,U)1P49C	95G2DF090CE16	14.50	12.00	34000	24800	1200	7/8	3/8	7/8	3/8	7/8	3/8	0.071	A4TXV01
	E(C,H,U)1P49C+TXV	95G2DF090CE16	14.50	12.00	34000	24800	1200	7/8	3/8	7/8	3/8	7/8	3/8	0.071	A4TXV01
	E(C,H,U)1P49C	95G1UH110CE20	14.50	12.00	34000	24800	1200	7/8	3/8	7/8	3/8	7/8	3/8	0.071	A4TXV01
	E(C,H,U)1P49C+TXV	95G1UH110CE20	14.50	12.00	34000	24800	1200	7/8	3/8	7/8	3/8	7/8	3/8	0.071	A4TXV01
	E(C,H,U)1P49C	95G1UH090CE16	14.50	12.00	34000	24800	1200	7/8	3/8	7/8	3/8	7/8	3/8	0.071	A4TXV01
	E(C,H,U)1P49C+TXV	95G1UH090CE16	14.50	12.00	34000	24800	1200	7/8	3/8	7/8	3/8	7/8	3/8	0.071	A4TXV01
	E(C,H,U)1P49C	95G1DF110CE20	14.50	12.00	34000	24800	1200	7/8	3/8	7/8	3/8	7/8	3/8	0.071	A4TXV01
	E(C,H,U)1P49C+TXV	95G1DF110CE20	14.50	12.00	34000	24800	1200	7/8	3/8	7/8	3/8	7/8	3/8	0.071	A4TXV01
	E(C,H,U)1P49C	95G1DF090CE16	14.50	12.00	34000	24800	1200	7/8	3/8	7/8	3/8	7/8	3/8	0.071	A4TXV01
	E(C,H,U)1P49C+TXV	95G1DF090CE16	14.50	12.00	34000	24800	1200	7/8	3/8	7/8	3/8	7/8	3/8	0.071	A4TXV01
	E(C,H,U)1P49C	80G2UH110CV20	14.50	12.00	34000	24800	1200	7/8	3/8	7/8	3/8	7/8	3/8	0.071	A4TXV01
	E(C,H,U)1P49C+TXV	80G2UH110CV20	14.50	12.00	34000	24800	1200	7/8	3/8	7/8	3/8	7/8	3/8	0.071	A4TXV01
	E(C,H,U)1P49C	80G1UH110CE20	14.50	12.00	34000	24800	1200	7/8	3/8	7/8	3/8	7/8	3/8	0.071	A4TXV01
	E(C,H,U)1P49C+TXV	80G1UH110CE20	16.00	13.00	34000	24800	1200	7/8	3/8	7/8	3/8	7/8	3/8	0.071	A4TXV01
	E(C,H,U)1P49C	80G1UH090CE20	14.50	12.00	34000	24800	1200	7/8	3/8	7/8	3/8	7/8	3/8	0.071	A4TXV01
	E(C,H,U)1P49C+TXV	80G1UH090CE20	14.50	12.00	34000	24800	1200	7/8	3/8	7/8	3/8	7/8	3/8	0.071	A4TXV01
	E(C,H,U)1P49C	80G1DF110CE20	14.50	12.00	34000	24800	1200	7/8	3/8	7/8	3/8	7/8	3/8	0.071	A4TXV01
	E(C,H,U)1P49C+TXV	80G1DF110CE20	14.50	12.00	34000	24800	1200	7/8	3/8	7/8	3/8	7/8	3/8	0.071	A4TXV01

Cooling Performance with Air Handlers and Furnaces 41

Outdoor Model	Indoor Model	Variable Speed Furnace	SEER	EER	AHRI Rated Capacity ¹ BTUH	Sensible Capacity BTUH	CFM	Refrigerant Connection				Refrigerant Line Size		Indoor Expansion Device		
								Outdoor		Indoor		Suction	Liquid	Piston ²	TXV	
	Suction							Liquid	Suction	Liquid						
4AC14*41P-2,-3	BCE3M36C****P+TXV		14.00	12.00	38000	30000	1380	7/8	3/8	7/8	3/8	7/8	3/8	0.074	A4TXV02	
	BCE3M42C****P+TXV		16.00	13.00	38000	30000	1380	7/8	3/8	7/8	3/8	7/8	3/8	0.074	A4TXV02	
	BCE3M42E****P		14.00	12.00	37000	30000	1380	7/8	3/8	7/8	3/8	7/8	3/8	0.074	A4TXV02	
	BCE3M42C****P+TXV		14.00	12.00	38000	30000	1380	7/8	3/8	7/8	3/8	7/8	3/8	0.074	A4TXV02	
	BCE3M42E****P		16.0	13.0	37000	30000	1400	7/8	3/8	7/8	3/8	7/8	3/8	0.074	A4TXV02	
	E(C,H,U)1P49C+TDR	EFV16CC		15.10	12.50	38000	30000	1380	7/8	3/8	7/8	3/8	7/8	3/8	0.074	A4TXV02
	E(C,H,U)1P49C+TXV+TDR	EFV16CC		15.10	12.50	38000	30000	1380	7/8	3/8	7/8	3/8	7/8	3/8	0.074	A4TXV02
	E(C,H,U)1P49C	95G2UH110CV20		15.10	12.50	38000	30000	1380	7/8	3/8	7/8	3/8	7/8	3/8	0.074	A4TXV02
	E(C,H,U)1P49C+TXV	95G2UH110CV20		15.10	12.50	38000	30000	1380	7/8	3/8	7/8	3/8	7/8	3/8	0.074	A4TXV02
	E(C,H,U)1P49C	95G2UH110CE20		15.10	12.50	38000	30000	1380	7/8	3/8	7/8	3/8	7/8	3/8	0.074	A4TXV02
	E(C,H,U)1P49C+TXV	95G2UH110CE20		15.10	12.50	38000	30000	1380	7/8	3/8	7/8	3/8	7/8	3/8	0.074	A4TXV02
	E(C,H,U)1P49C	95G2UH090CV20		15.10	12.50	38000	30000	1380	7/8	3/8	7/8	3/8	7/8	3/8	0.074	A4TXV02
	E(C,H,U)1P49C+TXV	95G2UH090CV20		15.10	12.50	38000	30000	1380	7/8	3/8	7/8	3/8	7/8	3/8	0.074	A4TXV02
	E(C,H,U)1P49C	95G2UH090CE16		16.00	13.00	38000	30000	1380	7/8	3/8	7/8	3/8	7/8	3/8	0.074	A4TXV02
	E(C,H,U)1P49C+TXV	95G2UH090CE16		16.00	13.00	38000	30000	1380	7/8	3/8	7/8	3/8	7/8	3/8	0.074	A4TXV02
	E(C,H,U)1P49C	95G2DF110CV20		15.10	12.50	38000	30000	1380	7/8	3/8	7/8	3/8	7/8	3/8	0.074	A4TXV02
	E(C,H,U)1P49C+TXV	95G2DF110CV20		15.10	12.50	38000	30000	1380	7/8	3/8	7/8	3/8	7/8	3/8	0.074	A4TXV02
	E(C,H,U)1P49C	95G2DF110CE20		15.10	12.50	38000	30000	1380	7/8	3/8	7/8	3/8	7/8	3/8	0.074	A4TXV02
	E(C,H,U)1P49C+TXV	95G2DF110CE20		15.10	12.50	38000	30000	1380	7/8	3/8	7/8	3/8	7/8	3/8	0.074	A4TXV02
	E(C,H,U)1P49C	95G2DF090CV20		15.10	12.50	38000	30000	1380	7/8	3/8	7/8	3/8	7/8	3/8	0.074	A4TXV02
	E(C,H,U)1P49C+TXV	95G2DF090CV20		15.10	12.50	38000	30000	1380	7/8	3/8	7/8	3/8	7/8	3/8	0.074	A4TXV02
	E(C,H,U)1P49C	95G2DF090CE16		15.10	12.50	38000	30000	1380	7/8	3/8	7/8	3/8	7/8	3/8	0.074	A4TXV02
	E(C,H,U)1P49C+TXV	95G2DF090CE16		15.10	12.50	38000	30000	1380	7/8	3/8	7/8	3/8	7/8	3/8	0.074	A4TXV02
	E(C,H,U)1P49C	95G1UH110CE20		15.10	12.50	38000	30000	1380	7/8	3/8	7/8	3/8	7/8	3/8	0.074	A4TXV02
	E(C,H,U)1P49C+TXV	95G1UH110CE20		15.10	12.50	38000	30000	1380	7/8	3/8	7/8	3/8	7/8	3/8	0.074	A4TXV02
	E(C,H,U)1P49C	95G1UH090CE16		16.00	13.00	38000	30000	1380	7/8	3/8	7/8	3/8	7/8	3/8	0.074	A4TXV02
	E(C,H,U)1P49C+TXV	95G1UH090CE16		16.00	13.00	38000	30000	1380	7/8	3/8	7/8	3/8	7/8	3/8	0.074	A4TXV02
	E(C,H,U)1P49C	95G1DF110CE20		15.10	12.50	38000	30000	1380	7/8	3/8	7/8	3/8	7/8	3/8	0.074	A4TXV02
	E(C,H,U)1P49C+TXV	95G1DF110CE20		15.10	12.50	38000	30000	1380	7/8	3/8	7/8	3/8	7/8	3/8	0.074	A4TXV02
	E(C,H,U)1P49C	95G1DF090CE16		15.10	12.50	38000	30000	1380	7/8	3/8	7/8	3/8	7/8	3/8	0.074	A4TXV02
	E(C,H,U)1P49C+TXV	95G1DF090CE16		15.10	12.50	38000	30000	1380	7/8	3/8	7/8	3/8	7/8	3/8	0.074	A4TXV02
	E(C,H,U)1P49C	80G2UH110CV20		15.10	12.50	38000	30000	1380	7/8	3/8	7/8	3/8	7/8	3/8	0.074	A4TXV02
	E(C,H,U)1P49C+TXV	80G2UH110CV20		15.10	12.50	38000	30000	1380	7/8	3/8	7/8	3/8	7/8	3/8	0.074	A4TXV02
E(C,H,U)1P49C	80G1UH110CE20		15.10	12.50	38000	30000	1380	7/8	3/8	7/8	3/8	7/8	3/8	0.074	A4TXV02	
E(C,H,U)1P49C+TXV	80G1UH110CE20		15.10	12.50	38000	30000	1380	7/8	3/8	7/8	3/8	7/8	3/8	0.074	A4TXV02	
E(C,H,U)1P49C	80G1UH090CE20		15.10	12.50	38000	30000	1380	7/8	3/8	7/8	3/8	7/8	3/8	0.074	A4TXV02	

Note:
 1 Certified in accordance with Unitary Air Conditioner Certification Program, which is based on AHRI Standard 210/240
 2 Required to achieve AHRI rating. If NA (Not Applicable) is in the piston column, then TXV is required
 3 A blower time delay relay is required to achieve AHRI rating. This feature is standard on all Allied Air Enterprises furnace and AH products.

Cooling Performance with Air Handlers and Furnaces 41

Outdoor Model	Indoor Model	Variable Speed Furnace	SEER	EER	AHRI Rated Capacity ¹ BTUH	Sensible Capacity BTUH	CFM	Refrigerant Connection				Refrigerant Line Size		Indoor Expansion Device	
								Outdoor		Indoor		Suction	Liquid	Piston ²	TXV
	Evaporator Coil or Air Handler ³	Suction	Liquid	Suction	Liquid										
4AC14*41P-2,-3	E(C,H,U)1P49C+TXV	80G1UH090CE20	15.10	12.50	38000	30000	1380	7/8	3/8	7/8	3/8	7/8	3/8	0.074	A4TXV02
	E(C,H,U)1P49C	80G1DF110CE20	15.10	12.50	38000	30000	1380	7/8	3/8	7/8	3/8	7/8	3/8	0.074	A4TXV02
	E(C,H,U)1P49C+TXV	80G1DF110CE20	15.10	12.50	38000	30000	1380	7/8	3/8	7/8	3/8	7/8	3/8	0.074	A4TXV02
	E(C,H,U)1P62C+TDR	EFV16CC	15.10	12.50	38000	30000	1380	7/8	3/8	7/8	3/8	7/8	3/8	0.074	A4TXV02
	E(C,H,U)1P62C+TXV+TDR	EFV16CC	15.10	12.50	38000	30000	1380	7/8	3/8	7/8	3/8	7/8	3/8	0.074	A4TXV02
	E(C,H,U)1P62C	95G2UH110CV20	15.10	12.50	38000	30000	1380	7/8	3/8	7/8	3/8	7/8	3/8	0.074	A4TXV02
	E(C,H,U)1P62C+TXV	95G2UH110CV20	15.10	12.50	38000	30000	1380	7/8	3/8	7/8	3/8	7/8	3/8	0.074	A4TXV02
	E(C,H,U)1P62C	95G2UH110CE20	15.10	12.50	38000	30000	1380	7/8	3/8	7/8	3/8	7/8	3/8	0.074	A4TXV02
	E(C,H,U)1P62C+TXV	95G2UH110CE20	15.10	12.50	38000	30000	1380	7/8	3/8	7/8	3/8	7/8	3/8	0.074	A4TXV02
	E(C,H,U)1P62C	95G2UH090CV20	15.10	12.50	38000	30000	1380	7/8	3/8	7/8	3/8	7/8	3/8	0.074	A4TXV02
	E(C,H,U)1P62C+TXV	95G2UH090CV20	15.10	12.50	38000	30000	1380	7/8	3/8	7/8	3/8	7/8	3/8	0.074	A4TXV02
	E(C,H,U)1P62C	95G2UH090CE16	16.00	13.00	38000	30000	1380	7/8	3/8	7/8	3/8	7/8	3/8	0.074	A4TXV02
	E(C,H,U)1P62C+TXV	95G2UH090CE16	16.00	13.00	38000	30000	1380	7/8	3/8	7/8	3/8	7/8	3/8	0.074	A4TXV02
	E(C,H,U)1P62C	95G2DF110CV20	15.10	12.50	38000	30000	1380	7/8	3/8	7/8	3/8	7/8	3/8	0.074	A4TXV02
	E(C,H,U)1P62C+TXV	95G2DF110CV20	15.10	12.50	38000	30000	1380	7/8	3/8	7/8	3/8	7/8	3/8	0.074	A4TXV02
	E(C,H,U)1P62C	95G2DF110CE20	15.10	12.50	38000	30000	1380	7/8	3/8	7/8	3/8	7/8	3/8	0.074	A4TXV02
	E(C,H,U)1P62C+TXV	95G2DF110CE20	15.10	12.50	38000	30000	1380	7/8	3/8	7/8	3/8	7/8	3/8	0.074	A4TXV02
	E(C,H,U)1P62C	95G2DF090CV20	15.10	12.50	38000	30000	1380	7/8	3/8	7/8	3/8	7/8	3/8	0.074	A4TXV02
	E(C,H,U)1P62C+TXV	95G2DF090CV20	15.10	12.50	38000	30000	1380	7/8	3/8	7/8	3/8	7/8	3/8	0.074	A4TXV02
	E(C,H,U)1P62C	95G2DF090CE16	15.10	12.50	38000	30000	1380	7/8	3/8	7/8	3/8	7/8	3/8	0.074	A4TXV02
	E(C,H,U)1P62C+TXV	95G2DF090CE16	15.10	12.50	38000	30000	1380	7/8	3/8	7/8	3/8	7/8	3/8	0.074	A4TXV02
	E(C,H,U)1P62C	95G1UH110CE20	15.10	12.50	38000	30000	1380	7/8	3/8	7/8	3/8	7/8	3/8	0.074	A4TXV02
	E(C,H,U)1P62C+TXV	95G1UH110CE20	15.10	12.50	38000	30000	1380	7/8	3/8	7/8	3/8	7/8	3/8	0.074	A4TXV02
	E(C,H,U)1P62C	95G1UH090CE16	16.00	13.00	38000	30000	1380	7/8	3/8	7/8	3/8	7/8	3/8	0.074	A4TXV02
	E(C,H,U)1P62C+TXV	95G1UH090CE16	16.00	13.00	38000	30000	1380	7/8	3/8	7/8	3/8	7/8	3/8	0.074	A4TXV02
	E(C,H,U)1P62C	95G1DF110CE20	15.10	12.50	38000	30000	1380	7/8	3/8	7/8	3/8	7/8	3/8	0.074	A4TXV02
	E(C,H,U)1P62C+TXV	95G1DF110CE20	15.10	12.50	38000	30000	1380	7/8	3/8	7/8	3/8	7/8	3/8	0.074	A4TXV02
	E(C,H,U)1P62C	95G1DF090CE16	15.10	12.50	38000	30000	1380	7/8	3/8	7/8	3/8	7/8	3/8	0.074	A4TXV02
	E(C,H,U)1P62C+TXV	95G1DF090CE16	15.10	12.50	38000	30000	1380	7/8	3/8	7/8	3/8	7/8	3/8	0.074	A4TXV02
	E(C,H,U)1P62C	80G2UH110CV20	15.10	12.50	38000	30000	1380	7/8	3/8	7/8	3/8	7/8	3/8	0.074	A4TXV02
	E(C,H,U)1P62C+TXV	80G2UH110CV20	15.10	12.50	38000	30000	1380	7/8	3/8	7/8	3/8	7/8	3/8	0.074	A4TXV02
	E(C,H,U)1P62C	80G1UH110CE20	15.10	12.50	38000	30000	1380	7/8	3/8	7/8	3/8	7/8	3/8	0.074	A4TXV02
	E(C,H,U)1P62C+TXV	80G1UH110CE20	15.10	12.50	38000	30000	1380	7/8	3/8	7/8	3/8	7/8	3/8	0.074	A4TXV02
E(C,H,U)1P62C	80G1UH090CE20	15.10	12.50	38000	30000	1380	7/8	3/8	7/8	3/8	7/8	3/8	0.074	A4TXV02	
E(C,H,U)1P62C+TXV	80G1UH090CE20	15.10	12.50	38000	30000	1380	7/8	3/8	7/8	3/8	7/8	3/8	0.074	A4TXV02	
E(C,H,U)1P62C	80G1DF110CE20	15.10	12.50	38000	30000	1380	7/8	3/8	7/8	3/8	7/8	3/8	0.074	A4TXV02	
E(C,H,U)1P62C+TXV	80G1DF110CE20	15.10	12.50	38000	30000	1380	7/8	3/8	7/8	3/8	7/8	3/8	0.074	A4TXV02	

Cooling Performance with Air Handlers and Furnaces 42

Outdoor Model	Indoor Model	Variable Speed Furnace	SEER	EER	AHRI Rated Capacity ¹ BTUH	Sensible Capacity BTUH	CFM	Refrigerant Connection				Refrigerant Line Size		Indoor Expansion Device		
								Outdoor		Indoor		Suction	Liquid	Piston ²	TXV	
	Evaporator Coil or Air Handler ³	Suction	Liquid	Suction	Liquid											
4AC14*42P-2,-3,-4	BCE3M42C****P+TXV		14.00	11.50	40000	30000	1380	7/8	3/8	7/8	3/8	7/8	3/8	0.076	A4TXV02	
	BCS2M42V****P+TXV		14.50	12.00	40000	30000	1400	7/8	3/8	7/8	3/8	7/8	3/8	0.076	A4TXV02	
	BCE3M42C****P		14.00	11.50	40000	30000	1380	7/8	3/8	7/8	3/8	7/8	3/8	0.076	A4TXV02	
	BCE3M42C****P+TXV		14.00	11.50	40000	30000	1380	7/8	3/8	7/8	3/8	7/8	3/8	0.076	A4TXV02	
	BCE3M42E****P		14.5	12.0	40000	30000	1400	7/8	3/8	7/8	3/8	7/8	3/8	0.076	A4TXV02	
	E(C,H,U)1P49C	95G2UH110CV20		14.50	12.00	40000	30000	1400	7/8	3/8	7/8	3/8	7/8	3/8	0.076	A4TXV02
	E(C,H,U)1P49C+TXV	95G2UH110CV20		14.50	12.00	40000	30000	1400	7/8	3/8	7/8	3/8	7/8	3/8	0.076	A4TXV02
	E(C,H,U)1P49C	95G2UH110CE20		14.50	12.00	40000	30000	1400	7/8	3/8	7/8	3/8	7/8	3/8	0.076	A4TXV02
	E(C,H,U)1P49C+TXV	95G2UH110CE20		14.50	12.00	40000	30000	1400	7/8	3/8	7/8	3/8	7/8	3/8	0.076	A4TXV02
	E(C,H,U)1P49C	95G2UH090CV20		14.50	12.00	40000	30000	1400	7/8	3/8	7/8	3/8	7/8	3/8	0.076	A4TXV02
	E(C,H,U)1P49C+TXV	95G2UH090CV20		14.50	12.00	40000	30000	1400	7/8	3/8	7/8	3/8	7/8	3/8	0.076	A4TXV02
	E(C,H,U)1P49C	95G2UH090CE16		14.50	12.00	40000	30000	1350	7/8	3/8	7/8	3/8	7/8	3/8	0.076	A4TXV02
	E(C,H,U)1P49C+TXV	95G2UH090CE16		14.50	12.00	40000	30000	1350	7/8	3/8	7/8	3/8	7/8	3/8	0.076	A4TXV02
	E(C,H,U)1P49C	95G2DF110CV20		14.50	12.00	40000	30000	1420	7/8	3/8	7/8	3/8	7/8	3/8	0.076	A4TXV02
	E(C,H,U)1P49C+TXV	95G2DF110CV20		14.50	12.00	40000	30000	1420	7/8	3/8	7/8	3/8	7/8	3/8	0.076	A4TXV02
	E(C,H,U)1P49C	95G2DF110CE20		14.50	12.00	40000	30000	1400	7/8	3/8	7/8	3/8	7/8	3/8	0.076	A4TXV02
	E(C,H,U)1P49C+TXV	95G2DF110CE20		14.50	12.00	40000	30000	1400	7/8	3/8	7/8	3/8	7/8	3/8	0.076	A4TXV02
	E(C,H,U)1P49C	95G2DF090CV20		14.50	12.00	40000	30000	1420	7/8	3/8	7/8	3/8	7/8	3/8	0.076	A4TXV02
	E(C,H,U)1P49C+TXV	95G2DF090CV20		14.50	12.00	40000	30000	1420	7/8	3/8	7/8	3/8	7/8	3/8	0.076	A4TXV02
	E(C,H,U)1P49C	95G2DF090CE16		14.50	12.00	40000	30000	1400	7/8	3/8	7/8	3/8	7/8	3/8	0.076	A4TXV02
	E(C,H,U)1P49C+TXV	95G2DF090CE16		14.50	12.00	40000	30000	1400	7/8	3/8	7/8	3/8	7/8	3/8	0.076	A4TXV02
	E(C,H,U)1P49C	95G1UH110CE20		14.50	12.00	40000	30000	1400	7/8	3/8	7/8	3/8	7/8	3/8	0.076	A4TXV02
	E(C,H,U)1P49C+TXV	95G1UH110CE20		14.50	12.00	40000	30000	1400	7/8	3/8	7/8	3/8	7/8	3/8	0.076	A4TXV02
	E(C,H,U)1P49C	95G1UH090CE16		14.50	12.00	40000	30000	1350	7/8	3/8	7/8	3/8	7/8	3/8	0.076	A4TXV02
	E(C,H,U)1P49C+TXV	95G1UH090CE16		14.50	12.00	40000	30000	1350	7/8	3/8	7/8	3/8	7/8	3/8	0.076	A4TXV02
	E(C,H,U)1P49C	95G1DF110CE20		14.50	12.00	40000	30000	1400	7/8	3/8	7/8	3/8	7/8	3/8	0.076	A4TXV02
	E(C,H,U)1P49C+TXV	95G1DF110CE20		14.50	12.00	40000	30000	1400	7/8	3/8	7/8	3/8	7/8	3/8	0.076	A4TXV02
	E(C,H,U)1P49C	95G1DF090CE16		14.50	12.00	40000	30000	1400	7/8	3/8	7/8	3/8	7/8	3/8	0.076	A4TXV02
	E(C,H,U)1P49C+TXV	95G1DF090CE16		14.50	12.00	40000	30000	1400	7/8	3/8	7/8	3/8	7/8	3/8	0.076	A4TXV02
	E(C,H,U)1P49C	80G2UH110CV20		14.50	12.00	40000	30000	1400	7/8	3/8	7/8	3/8	7/8	3/8	0.076	A4TXV02
	E(C,H,U)1P49C+TXV	80G2UH110CV20		14.50	12.00	40000	30000	1400	7/8	3/8	7/8	3/8	7/8	3/8	0.076	A4TXV02
	E(C,H,U)1P49C	80G1UH110CE20		14.50	12.00	40000	30000	1400	7/8	3/8	7/8	3/8	7/8	3/8	0.076	A4TXV02
	E(C,H,U)1P49C+TXV	80G1UH110CE20		14.50	12.00	40000	30000	1400	7/8	3/8	7/8	3/8	7/8	3/8	0.076	A4TXV02
	E(C,H,U)1P49C	80G1UH090CE20		14.50	12.00	40000	30000	1400	7/8	3/8	7/8	3/8	7/8	3/8	0.076	A4TXV02
E(C,H,U)1P49C+TXV	80G1UH090CE20		14.50	12.00	40000	30000	1400	7/8	3/8	7/8	3/8	7/8	3/8	0.076	A4TXV02	
E(C,H,U)1P49C	80G1UH090CE20		14.50	12.00	40000	30000	1400	7/8	3/8	7/8	3/8	7/8	3/8	0.076	A4TXV02	
E(C,H,U)1P49C+TXV	80G1UH090CE20		14.50	12.00	40000	30000	1400	7/8	3/8	7/8	3/8	7/8	3/8	0.076	A4TXV02	
E(C,H,U)1P49C	80G1DF110CE20		14.50	12.00	40000	30000	1400	7/8	3/8	7/8	3/8	7/8	3/8	0.076	A4TXV02	

Note:
 1 Certified in accordance with Unitary Air Conditioner Certification Program, which is based on AHRI Standard 210/240
 2 Required to achieve AHRI rating. If NA (Not Applicable) is in the piston column, then TXV is required
 3 A blower time delay relay is required to achieve AHRI rating. This feature is standard on all Allied Air Enterprises furnace and AH products.

Cooling Performance with Air Handlers and Furnaces 42

Outdoor Model	Indoor Model	Variable Speed Furnace	SEER	EER	AHRI Rated Capacity ¹ BTUH	Sensible Capacity BTUH	CFM	Refrigerant Connection				Refrigerant Line Size		Indoor Expansion Device	
								Outdoor		Indoor		Suction	Liquid	Piston ²	TXV
	Evaporator Coil or Air Handler ³	Suction	Liquid	Suction	Liquid										
4AC14*42P-2,-3,-4	E(C,H,U)1P49C+TXV	80G1DF110CE20	14.50	12.00	40000	30000	1400	7/8	3/8	7/8	3/8	7/8	3/8	0.076	A4TXV02
	E(C,H,U)1P62C	95G2UH110CE20	14.50	12.00	40000	30000	1400	7/8	3/8	7/8	3/8	7/8	3/8	0.076	A4TXV02
	E(C,H,U)1P62C+TXV	95G2UH110CE20	14.50	12.00	40000	30000	1400	7/8	3/8	7/8	3/8	7/8	3/8	0.076	A4TXV02
	E(C,H,U)1P62C	95G2UH090CV20	14.50	12.00	40000	30000	1400	7/8	3/8	7/8	3/8	7/8	3/8	0.076	A4TXV02
	E(C,H,U)1P62C+TXV	95G2UH090CV20	14.50	12.00	40000	30000	1400	7/8	3/8	7/8	3/8	7/8	3/8	0.076	A4TXV02
	E(C,H,U)1P62C	95G2UH090CE16	14.50	12.00	40000	30000	1350	7/8	3/8	7/8	3/8	7/8	3/8	0.076	A4TXV02
	E(C,H,U)1P62C+TXV	95G2UH090CE16	14.50	12.00	40000	30000	1350	7/8	3/8	7/8	3/8	7/8	3/8	0.076	A4TXV02
	E(C,H,U)1P62C	95G2DF110CV20	14.50	12.00	40000	30000	1420	7/8	3/8	7/8	3/8	7/8	3/8	0.076	A4TXV02
	E(C,H,U)1P62C+TXV	95G2DF110CV20	14.50	12.00	40000	30000	1420	7/8	3/8	7/8	3/8	7/8	3/8	0.076	A4TXV02
	E(C,H,U)1P62C	95G2DF110CE20	14.50	12.00	40000	30000	1400	7/8	3/8	7/8	3/8	7/8	3/8	0.076	A4TXV02
	E(C,H,U)1P62C+TXV	95G2DF110CE20	14.50	12.00	40000	30000	1400	7/8	3/8	7/8	3/8	7/8	3/8	0.076	A4TXV02
	E(C,H,U)1P62C	95G2DF090CE16	14.50	12.00	40000	30000	1400	7/8	3/8	7/8	3/8	7/8	3/8	0.076	A4TXV02
	E(C,H,U)1P62C+TXV	95G2DF090CE16	14.50	12.00	40000	30000	1400	7/8	3/8	7/8	3/8	7/8	3/8	0.076	A4TXV02
	E(C,H,U)1P62C	95G1UH110CE20	14.50	12.00	40000	30000	1400	7/8	3/8	7/8	3/8	7/8	3/8	0.076	A4TXV02
	E(C,H,U)1P62C+TXV	95G1UH110CE20	14.50	12.00	40000	30000	1400	7/8	3/8	7/8	3/8	7/8	3/8	0.076	A4TXV02
	E(C,H,U)1P62C	95G1UH090CE16	14.50	12.00	40000	30000	1350	7/8	3/8	7/8	3/8	7/8	3/8	0.076	A4TXV02
	E(C,H,U)1P62C+TXV	95G1UH090CE16	14.50	12.00	40000	30000	1350	7/8	3/8	7/8	3/8	7/8	3/8	0.076	A4TXV02
	E(C,H,U)1P62C	95G1DF110CE20	14.50	12.00	40000	30000	1400	7/8	3/8	7/8	3/8	7/8	3/8	0.076	A4TXV02
	E(C,H,U)1P62C+TXV	95G1DF110CE20	14.50	12.00	40000	30000	1400	7/8	3/8	7/8	3/8	7/8	3/8	0.076	A4TXV02
	E(C,H,U)1P62C	95G1DF090CE16	14.50	12.00	40000	30000	1400	7/8	3/8	7/8	3/8	7/8	3/8	0.076	A4TXV02
	E(C,H,U)1P62C+TXV	95G1DF090CE16	14.50	12.00	40000	30000	1400	7/8	3/8	7/8	3/8	7/8	3/8	0.076	A4TXV02
	E(C,H,U)1P62C	80G2UH110CV20	14.50	12.00	40000	30000	1400	7/8	3/8	7/8	3/8	7/8	3/8	0.076	A4TXV02
	E(C,H,U)1P62C+TXV	80G2UH110CV20	14.50	12.00	40000	30000	1400	7/8	3/8	7/8	3/8	7/8	3/8	0.076	A4TXV02
	E(C,H,U)1P62C	80G1UH110CE20	14.50	12.00	40000	30000	1400	7/8	3/8	7/8	3/8	7/8	3/8	0.076	A4TXV02
	E(C,H,U)1P62C+TXV	80G1UH110CE20	14.50	12.00	40000	30000	1400	7/8	3/8	7/8	3/8	7/8	3/8	0.076	A4TXV02
	E(C,H,U)1P62C	80G1UH090CE20	14.50	12.00	40000	30000	1400	7/8	3/8	7/8	3/8	7/8	3/8	0.076	A4TXV02
	E(C,H,U)1P62C+TXV	80G1UH090CE20	14.50	12.00	40000	30000	1400	7/8	3/8	7/8	3/8	7/8	3/8	0.076	A4TXV02
	E(C,H,U)1P62C	80G1DF110CE20	14.50	12.00	40000	30000	1400	7/8	3/8	7/8	3/8	7/8	3/8	0.076	A4TXV02
E(C,H,U)1P62C+TXV	80G1DF110CE20	14.50	12.00	40000	30000	1400	7/8	3/8	7/8	3/8	7/8	3/8	0.076	A4TXV02	

Note:
 1 Certified in accordance with Unitary Air Conditioner Certification Program, which is based on AHRI Standard 210/240
 2 Required to achieve AHRI rating. If NA (Not Applicable) is in the piston column, then TXV is required
 3 A blower time delay relay is required to achieve AHRI rating. This feature is standard on all Allied Air Enterprises furnace and AH products.

Cooling Performance with Air Handlers and Furnaces 47

Outdoor Model	Indoor Model	Variable Speed Furnace	SEER	EER	AHRI Rated Capacity ¹ BTUH	Sensible Capacity BTUH	CFM	Refrigerant Connection				Refrigerant Line Size		Indoor Expansion Device		
								Outdoor		Indoor		Suction	Liquid	Piston ²	TXV	
	Evaporator Coil or Air Handler ³	Suction	Liquid	Suction	Liquid											
4AC14*47P-2,-3	BCE3M48C****P+TXV		14.00	12.00	45500	34800	1600	7/8	3/8	7/8	3/8	7/8	3/8	0.080	A4TXV02	
	BCS2M48V****P+TXV		16.00	13.00	46000	34800	1600	7/8	3/8	7/8	3/8	7/8	3/8	0.080	A4TXV02	
	BCS3M48C****P		14.00	12.00	45500	34800	1600	7/8	3/8	7/8	3/8	7/8	3/8	0.080	A4TXV02	
	BCS3M48E****P		16.0	13.0	45500	34800	1600	7/8	3/8	7/8	3/8	7/8	3/8	0.080	A4TXV02	
	E(C,H,U)1P49C+TXV	95G2UH110CV20		15.00	12.50	46000	34800	1600	7/8	3/8	7/8	3/8	7/8	3/8	0.080	A4TXV02
	E(C,H,U)1P49C+TXV	95G2UH110CE20		16.00	13.00	46000	34800	1600	7/8	3/8	7/8	3/8	7/8	3/8	0.080	A4TXV02
	E(C,H,U)1P49C+TXV	95G2UH090CV20		15.10	12.50	46000	34800	1600	7/8	3/8	7/8	3/8	7/8	3/8	0.080	A4TXV02
	E(C,H,U)1P49C+TXV	95G2DF110CV20		14.50	12.00	46000	34800	1600	7/8	3/8	7/8	3/8	7/8	3/8	0.080	A4TXV02
	E(C,H,U)1P49C+TXV	95G2DF110CE20		15.10	12.50	46000	34800	1600	7/8	3/8	7/8	3/8	7/8	3/8	0.080	A4TXV02
	E(C,H,U)1P49C+TXV	95G2DF090CV20		14.50	12.00	46000	34800	1600	7/8	3/8	7/8	3/8	7/8	3/8	0.080	A4TXV02
	E(C,H,U)1P49C+TXV	95G1UH110CE20		15.10	12.50	46000	34800	1600	7/8	3/8	7/8	3/8	7/8	3/8	0.080	A4TXV02
	E(C,H,U)1P49C+TXV	95G1DF110CE20		15.10	12.50	46000	34800	1600	7/8	3/8	7/8	3/8	7/8	3/8	0.080	A4TXV02
	E(C,H,U)1P49C+TXV	80G2UH110CV20		16.00	13.00	46000	34800	1600	7/8	3/8	7/8	3/8	7/8	3/8	0.080	A4TXV02
	E(C,H,U)1P49C+TXV	80G1UH110CE20		15.10	12.50	46000	34800	1600	7/8	3/8	7/8	3/8	7/8	3/8	0.080	A4TXV02
	E(C,H,U)1P49C+TXV	80G1UH090CE20		16.00	13.00	46000	34800	1600	7/8	3/8	7/8	3/8	7/8	3/8	0.080	A4TXV02
	E(C,H,U)1P49C+TXV	80G1DF110CE20		16.00	13.00	46000	34800	1600	7/8	3/8	7/8	3/8	7/8	3/8	0.080	A4TXV02
	E(C,H,U)1P62C+TXV+TDR	EFV16CC		15.50	12.50	46000	34800	1600	7/8	3/8	7/8	3/8	7/8	3/8	0.080	A4TXV02
	E(C,H,U)1P62C+TXV	95G2UH110CV20		15.10	12.50	46000	34800	1600	7/8	3/8	7/8	3/8	7/8	3/8	0.080	A4TXV02
	E(C,H,U)1P62C+TXV	95G2UH110CE20		15.10	12.50	46000	34800	1600	7/8	3/8	7/8	3/8	7/8	3/8	0.080	A4TXV02
	E(C,H,U)1P62C+TXV	95G2UH090CV20		15.10	12.50	46000	34800	1600	7/8	3/8	7/8	3/8	7/8	3/8	0.080	A4TXV02
	E(C,H,U)1P62C+TXV	95G2DF110CV20		14.50	12.00	46000	34800	1600	7/8	3/8	7/8	3/8	7/8	3/8	0.080	A4TXV02
	E(C,H,U)1P62C+TXV	95G2DF110CE20		15.10	12.00	46000	34800	1600	7/8	3/8	7/8	3/8	7/8	3/8	0.080	A4TXV02
	E(C,H,U)1P62C+TXV	95G2DF090CV20		14.50	12.00	46000	34800	1600	7/8	3/8	7/8	3/8	7/8	3/8	0.080	A4TXV02
	E(C,H,U)1P62C+TXV	95G1UH110CE20		16.00	13.00	46000	34800	1600	7/8	3/8	7/8	3/8	7/8	3/8	0.080	A4TXV02
	E(C,H,U)1P62C+TXV	95G1DF110CE20		16.00	13.00	46000	34800	1600	7/8	3/8	7/8	3/8	7/8	3/8	0.080	A4TXV02
	E(C,H,U)1P62C+TXV	80G2UH110CV20		16.00	13.00	46000	34800	1600	7/8	3/8	7/8	3/8	7/8	3/8	0.080	A4TXV02
	E(C,H,U)1P62C+TXV	80G1UH110CE20		16.00	13.00	46000	34800	1600	7/8	3/8	7/8	3/8	7/8	3/8	0.080	A4TXV02
	E(C,H,U)1P62C+TXV	80G1UH090CE20		16.00	13.00	46000	34800	1600	7/8	3/8	7/8	3/8	7/8	3/8	0.080	A4TXV02
	E(C,H,U)1P62C+TXV	80G1DF110CE20		16.00	13.00	46000	34800	1600	7/8	3/8	7/8	3/8	7/8	3/8	0.080	A4TXV02
	E(C,H,U)1P62D+TXV	95G2UH135DV20		15.10	12.50	46000	34800	1600	7/8	3/8	7/8	3/8	7/8	3/8	0.080	A4TXV02
	E(C,H,U)1P62D+TXV	95G2UH135DE20		15.10	12.50	46000	34800	1600	7/8	3/8	7/8	3/8	7/8	3/8	0.080	A4TXV02
	E(C,H,U)1P62D+TXV	95G1UH135DE20		15.10	12.50	46000	34800	1600	7/8	3/8	7/8	3/8	7/8	3/8	0.080	A4TXV02
E(C,H,U)1P62D+TXV	80G1UH135DE20		15.10	12.50	46000	34800	1600	7/8	3/8	7/8	3/8	7/8	3/8	0.080	A4TXV02	

Note:

¹ Certified in accordance with Unitary Air Conditioner Certification Program, which is based on AHRI Standard 210/240

² Required to achieve AHRI rating. If NA (Not Applicable) is in the piston column, then TXV is required

³ A blower time delay relay is required to achieve AHRI rating. This feature is standard on all Allied Air Enterprises furnace and AH products.

Cooling Performance with Air Handlers and Furnaces 48, 59, 60

Outdoor Model	Indoor Model	Variable Speed Furnace	SEER	EER	AHRI Rated Capacity ¹ BTUH	Sensible Capacity BTUH	CFM	Refrigerant Connection				Refrigerant Line Size		Indoor Expansion Device	
								Outdoor		Indoor		Suction	Liquid	Piston ²	TXV
	Evaporator Coil or Air Handler ³	Suction	Liquid	Suction	Liquid										
4AC14*48P-4,-5	BCE3M48C****P		14.00	12.00	46500	35300	1600	7/8	3/8	7/8	3/8	7/8	3/8	0.083	A4TXV02
	BCS2M48V****P		15.10	12.50	46500	35300	1600	7/8	3/8	7/8	3/8	7/8	3/8	0.083	A4TXV02
	BCS3M48C****P		14.00	12.00	46500	35300	1600	7/8	3/8	7/8	3/8	7/8	3/8	0.083	A4TXV02
	BCS3M48E****P		15.1	12.5	46500	35300	1600	7/8	3/8	7/8	3/8	7/8	3/8	0.083	A4TXV02
	E(C,H,U)1P49C	95G2UH090CE16	14.50	11.50	46000	35300	1600	7/8	3/8	7/8	3/8	7/8	3/8	0.083	A4TXV02
	E(C,H,U)1P49C	95G2DF090CE16	14.50	11.50	46000	35300	1600	7/8	3/8	7/8	3/8	7/8	3/8	0.083	A4TXV02
	E(C,H,U)1P49C	80G2UH110CV20	14.50	12.00	46500	35300	1600	7/8	3/8	7/8	3/8	7/8	3/8	0.083	A4TXV02
	E(C,H,U)1P62C	95G2UH090CE16	14.50	11.50	46500	35300	1600	7/8	3/8	7/8	3/8	7/8	3/8	0.083	A4TXV02
	E(C,H,U)1P62C	95G2DF090CE16	14.50	11.50	46500	35300	1600	7/8	3/8	7/8	3/8	7/8	3/8	0.083	A4TXV02
	E(C,H,U)1P62C	80G2UH110CV20	14.50	12.00	46500	35300	1600	7/8	3/8	7/8	3/8	7/8	3/8	0.083	A4TXV02
	E(C,H,U)1P62D	95G2UH135DV20	14.50	12.00	46500	35300	1600	7/8	3/8	7/8	3/8	7/8	3/8	0.083	A4TXV02
	E(C,U)1P60D+TDR	95G2UH135DV20	14.50	12.00	46000	35300	1600	7/8	3/8	7/8	3/8	7/8	3/8	0.083	A4TXV02
	E(C,H,U)1P62D	80G1UH135DE20	14.50	12.00	46500	35300	1600	7/8	3/8	7/8	3/8	7/8	3/8	0.083	A4TXV02
	E(C,U)1P60D+TDR	80G1UH135DE20	14.50	12.00	46000	35300	1600	7/8	3/8	7/8	3/8	7/8	3/8	0.083	A4TXV02
4AC14*59P-4,-5	BCS2M48V****P		15.00	12.50	58000	41000	1800	7/8	3/8	7/8	3/8	1 1/8	3/8	0.093	A4TXV02
	BCS2M60V****P		14.00	12.00	57000	41000	1800	7/8	3/8	7/8	3/8	1 1/8	3/8	0.093	A4TXV02
	BCS3M48C****P		14.00	12.50	57000	41000	1800	7/8	3/8	7/8	3/8	1 1/8	3/8	0.093	A4TXV02
	BCS3M60C****P		14.00	12.00	56500	41000	1800	7/8	3/8	7/8	3/8	1 1/8	3/8	0.093	A4TXV02
	BCS3M60E****P		14.5	12.0	56500	41000	1800	7/8	3/8	7/8	3/8	1 1/8	3/8	0.093	A4TXV02
	E*1P62C	95G1UH110CE20	14.50	12.50	58000	41000	1770	7/8	3/8	7/8	3/8	1 1/8	3/8	0.093	A4TXV02
	E*1P62C	80G1UH110CE20	14.50	12.50	58000	41000	1800	7/8	3/8	7/8	3/8	1 1/8	3/8	0.093	A4TXV02
	E*1P62C	80G1UH090CE20	15.10	12.50	58000	41000	1790	7/8	3/8	7/8	3/8	1 1/8	3/8	0.093	A4TXV02
	E*1P62C	80G1DF110CE20	15.10	12.50	58000	41000	1870	7/8	3/8	7/8	3/8	1 1/8	3/8	0.093	A4TXV02
	E*1P62D	95G2UH135DV20	14.50	12.50	58000	41000	1800	7/8	3/8	7/8	3/8	1 1/8	3/8	0.093	A4TXV02
E*1P62D	80G1UH135DE20	15.10	12.50	58000	41000	1800	7/8	3/8	7/8	3/8	1 1/8	3/8	0.093	A4TXV02	
4AC14*60P-2,-3,-4	BCE3M60C****P+TXV		14.00	12.00	58000	41800	1800	1 1/8	3/8	7/8	3/8	1 1/8	3/8	0.093	A4TXV02
	BCS2M60V****P+TXV		14.50	12.00	58000	41800	1800	1 1/8	3/8	7/8	3/8	1 1/8	3/8	0.093	A4TXV02
	BCS3M60C****P+TXV		14.00	12.00	58000	41800	1800	1 1/8	3/8	7/8	3/8	1 1/8	3/8	0.093	A4TXV02
	BCS3M60E****P		14.5	12.0	58000	41800	1800	1 1/8	3/8	7/8	3/8	1 1/8	3/8	0.093	A4TXV02
	E(C,H,U)1P49C+TXV	80G2UH110CV20	14.00	12.00	58000	41800	1840	1 1/8	3/8	7/8	3/8	1 1/8	3/8	0.093	A4TXV02
	E(C,H,U)1P62D+TXV	95G2UH135DV20	14.00	12.00	57000	41800	1800	1 1/8	3/8	7/8	3/8	1 1/8	3/8	0.093	A4TXV02
	E(C,H,U)1P62D+TXV	80G1UH135DE20	14.00	12.00	57000	41800	1800	1 1/8	3/8	7/8	3/8	1 1/8	3/8	0.093	A4TXV02

Note:

¹ Certified in accordance with Unitary Air Conditioner Certification Program, which is based on AHRI Standard 210/240

² Required to achieve AHRI rating. If NA (Not Applicable) is in the piston column, then TXV is required

³ A blower time delay relay is required to achieve AHRI rating. This feature is standard on all Allied Air Enterprises furnace and AH products.

Cooling Performance with Extended Ratings

Outdoor Model	Indoor Model	Indoor Temp DB/WB °F	Outdoor Temperature - DB °F														
			65°			82°			95°			105°			115°		
			Btuh	S/T	kW	Btuh	S/T	kW	Btuh	S/T	kW	Btuh	S/T	kW	Btuh	S/T	kW
4AC14L18P-3	E*1P23+TDR+TXV	85/72	20,500	0.65	1.44	19,700	0.69	1.59	19,100	0.72	1.71	17,900	0.74	1.13	16,700	0.75	1.42
		80/67	19,300	0.67	1.39	18,600	0.71	1.74	18,000	0.74	1.65	16,400	0.85	1.39	14,800	0.95	1.30
		75/63	17,900	0.72	1.35	17,200	0.76	1.49	16,700	0.79	1.59	15,600	0.81	1.05	14,600	0.83	1.28
		75/57	17,300	0.81	1.32	16,700	0.85	1.46	16,200	0.88	1.56	15,200	0.91	1.03	14,300	0.93	1.26
4AC14L24P-4.5	E*1P29+TDR+TXV	85/72	29,300	0.61	1.59	28,620	0.63	1.88	28,100	0.64	2.10	26,450	0.67	2.32	24,800	0.70	2.53
		80/67	27,600	0.68	1.58	26,127	0.71	1.87	25,000	0.74	2.10	23,400	0.77	2.31	21,800	0.80	2.52
		75/63	26,200	0.72	1.58	24,557	0.75	1.87	23,300	0.77	2.10	21,550	0.80	2.30	19,800	0.82	2.50
		75/57	23,800	1.00	1.54	22,383	1.00	1.80	21,300	1.00	2.00	19,550	1.00	2.23	17,800	1.00	2.46
4AC14L30P-3	E*1P29+TDR+TXV	85/72	32,000	0.68	2.05	30,800	0.72	2.27	29,800	0.75	2.43	28,100	0.77	2.51	26,200	0.78	2.51
		80/67	30,200	0.70	1.98	29,000	0.74	2.03	28,000	0.77	2.34	26,400	0.79	2.42	24,700	0.81	2.42
		75/63	27,900	0.75	1.91	26,900	0.79	2.10	26,000	0.82	2.25	24,500	0.84	2.33	22,900	0.86	2.32
		75/57	27,200	0.84	1.88	26,200	0.89	2.07	25,300	0.92	2.21	23,800	0.94	2.29	22,200	0.96	2.29
4AC14L36P-3	E*1P36+TDR+TXV	85/72	38,900	0.65	2.54	37,300	0.68	2.81	36,100	0.71	3.02	33,900	0.73	3.13	31,800	0.74	3.14
		80/67	36,500	0.67	2.45	35,100	0.70	2.71	34,000	0.73	2.91	31,900	0.75	3.01	29,900	0.76	3.01
		75/63	33,800	0.71	2.36	32,500	0.75	2.61	31,500	0.78	2.80	29,600	0.80	2.90	27,700	0.82	2.90
		75/57	32,900	0.79	2.32	31,600	0.84	2.56	30,600	0.87	2.75	28,700	0.89	2.84	26,900	0.91	2.84
4AC14L41P-3	E*1P49+TDR+TXV	85/72	46,000	0.75	1.71	43,733	0.77	2.02	42,000	0.79	2.26	39,700	0.82	2.59	37,400	0.84	2.91
		80/67	45,000	0.76	1.70	42,167	0.79	2.01	40,000	0.81	2.25	37,800	0.84	2.58	35,600	0.87	2.90
		75/63	42,500	0.77	1.69	40,233	0.80	2.00	38,500	0.83	2.24	36,650	0.86	2.57	34,800	0.89	2.89
		75/57	40,000	0.79	1.68	38,017	0.82	1.99	36,500	0.84	2.23	35,000	0.88	2.50	33,500	0.91	2.77
4AC14L42P-4	E*1P49+TDR+TXV	85/72	46,900	0.65	3.13	45,000	0.69	3.12	43,600	0.72	3.10	40,900	0.74	3.54	38,400	0.75	3.81
		80/67	44,100	0.67	3.02	42,400	0.71	3.29	41,000	0.74	3.49	38,500	0.76	3.66	36,100	0.77	3.66
		75/63	40,900	0.72	2.92	39,300	0.76	3.22	38,100	0.79	3.45	35,700	0.81	3.57	33,400	0.83	3.52
		75/57	39,700	0.81	2.87	38,200	0.85	3.16	37,000	0.88	3.39	34,700	0.91	3.50	32,500	0.93	3.45
4AC14L47P-3	E*1P62C+TDR+TXV	85/72	54,000	0.81	2.10	52,583	0.79	2.56	51,500	0.77	2.91	48,750	0.72	3.33	46,000	0.66	3.75
		80/67	53,000	0.82	2.00	50,733	0.80	2.51	49,000	0.79	2.90	46,500	0.81	3.33	44,000	0.83	3.75
		75/63	50,500	0.83	1.99	48,233	0.82	2.50	46,500	0.81	2.89	44,250	0.87	3.30	42,000	0.92	3.71
		75/57	47,000	0.85	1.98	44,733	0.84	2.49	43,000	0.83	2.88	41,500	0.90	3.29	40,000	0.97	3.70
4AC14L48P-4.5	E*1P62C+TDR+TXV	85/72	56,600	0.63	2.99	54,107	0.66	55.36	52,200	0.68	3.88	49,050	0.70	4.29	45,900	0.72	4.70
		80/67	53,100	0.70	2.97	50,607	0.73	3.47	48,700	0.75	3.85	44,500	0.79	4.26	40,300	0.83	4.66
		75/63	50,600	0.72	2.94	46,633	0.76	3.44	43,600	0.79	3.82	39,500	0.84	4.24	35,400	0.88	4.66
		75/57	46,000	1.00	2.92	42,373	1.00	3.43	39,600	1.00	3.82	35,950	1.00	4.24	32,300	1.00	4.65

Cooling Performance with Extended Ratings (cont)

Outdoor Model	Indoor Model	Indoor Temp DB/WB °F	Outdoor Temperature - DB °F														
			65°			82°			95°			105°			115°		
			Btuh	S/T	kW	Btuh	S/T	kW	Btuh	S/T	kW	Btuh	S/T	kW	Btuh	S/T	kW
4AC14L60P-3	E*1P62C+TDR+TXV	85/72	66,300	0.64	4.41	63,600	0.67	4.89	61,600	0.70	5.27	57,900	0.72	5.46	54,200	0.73	5.42
		80/67	62,400	0.66	4.25	59,900	0.71	4.69	58,000	0.74	5.03	54,600	0.75	5.24	51,100	0.75	5.23
		75/63	57,800	0.70	4.03	55,500	0.74	4.50	53,700	0.77	4.87	50,600	0.79	5.06	47,300	0.81	5.04
		75/57	56,200	0.78	4.02	53,900	0.83	4.45	52,200	0.86	4.78	49,100	0.88	4.96	46,000	0.90	4.94

Note:

Extended data shown is actual for models listed and typical for all AHRI matches.

Accessories

Description	Where Used	Kit Number
Crankcase Heater	18, 24, 30, 36	93M04
	41,42,47, 48, 60	93M05
Hard Start Kit	18	10J42
	24, 30, 36, 41, 42, 47, 48, 60	88M91
Compressor Low Ambient Kit	All models	45F08
Sound Blanket	All models	69J03
Short Cycle Protector	All models	47J27
Freezestat	3/8 tubing	93G35
	5/8 tubing	50A93
Time Delay Relay	All models	58M81
Loss of Charge Kit	All models	84M23



1-800-448-5872

All specifications and illustrations subject to change without notice and without incurring obligations.